

CD RECEIVER

KDC-5060R/RV

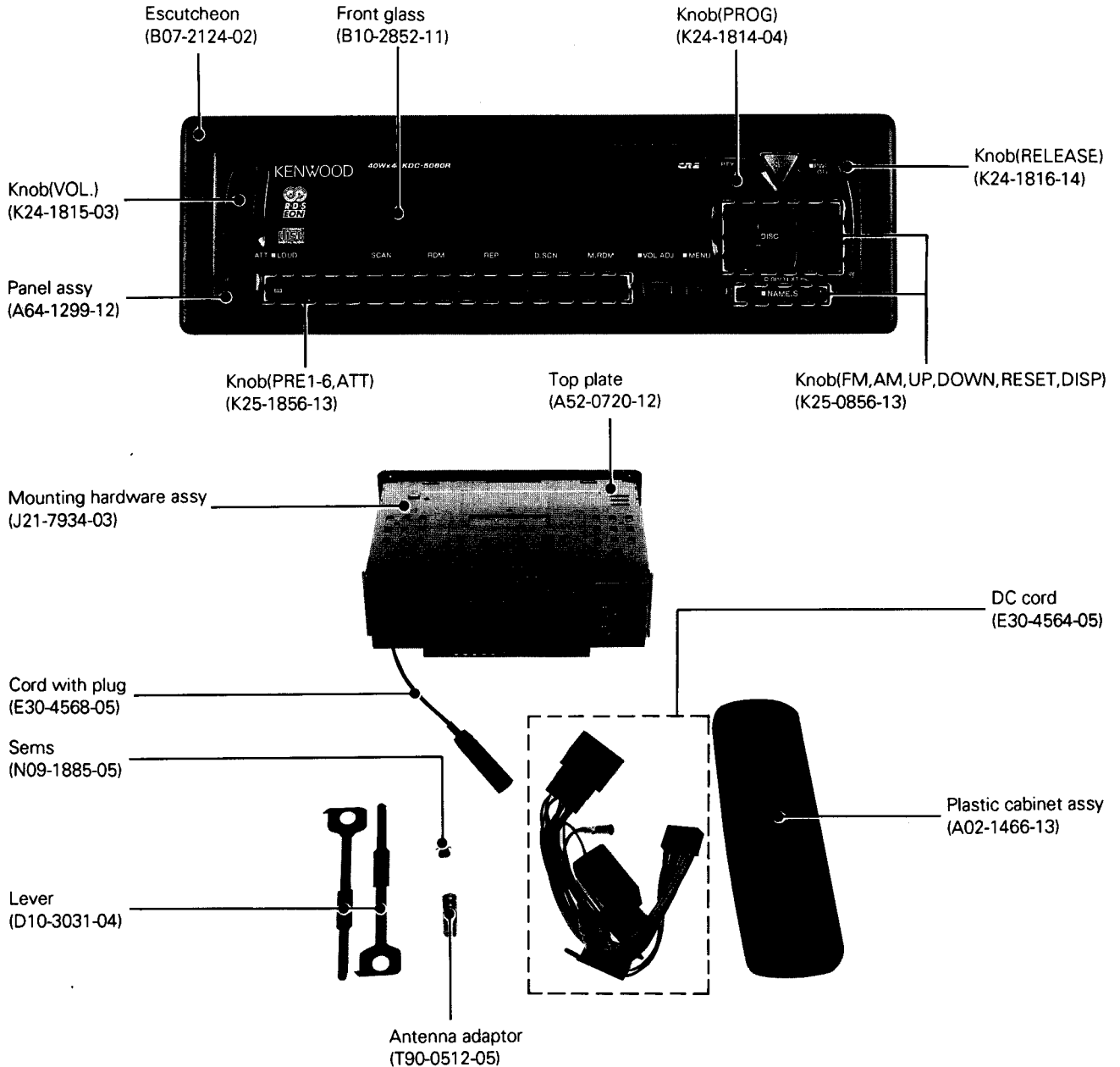
KENWOOD

SERVICE MANUAL

© 1998-1 PRINTED IN JAPAN
B51-7289-00(S) 1802

Photo is KDC-5060R

Extension cord	Parts No.
CD mechanism(22P)	W05-0618-00



• Optional TDF is "TDF-5060". (Not supplied as service parts)

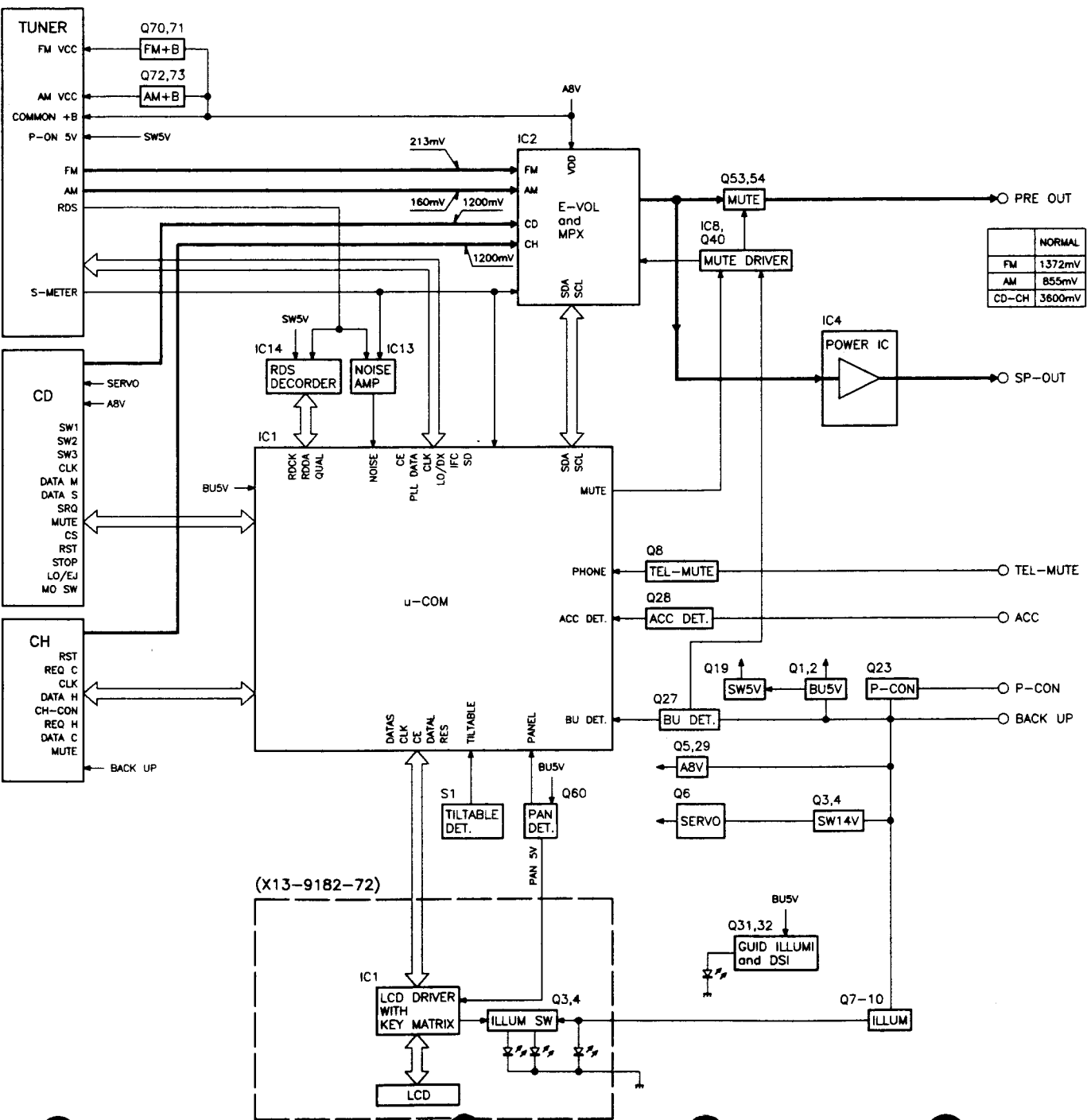
The MECHANISM OPERATION DESCRIPTION is the same as model KDC-5050RG.
Please refer to the service manual of model KDC-5050RG (B51-7099-00)

CONTENTS

BLOCK DIAGRAM 2
 COMPONENT DESCRIPTION 3
 MICROCOMPUTER'S DESCRIPTION 5
 TEST MODE AND ADJUSTMENT 7
 PC BOARD 8
 SCHEMATIC DIAGRAM 15

EXPLODED VIEW (MECHANISM) 23
 EXPLODED VIEW (UNIT) 24
 PARTS LIST 26
 SPECIFICATIONS Back cover

BLOCK DIAGRAM



COMPONENT DESCRIPTION

●SWITCH UNIT(X13-9182-72)

Component	Component Name	Application/Function	Operation/Condition/Compatibility
IC1	LC75883E	LCD driver with key scan function	Drive the LCD and key scan
Q1	DTA114EK	Distinguish of High End and Low End Model	
Q3	2SD2114K	SW	LED(Amber) ON/OFF
Q4	2SD2114K	SW	LED(Green) ON/OFF

●ELECTRIC UNIT(X25-8012-72)

Component	Component Name	Application/Function	Operation/Condition/Compatibility
IC1	UPD784214GF507	System μ -COM	
IC2	TDA7461D	E-Vol & NC MPX	
IC3	BR24C01AF	E ² PROM	
IC4	TDA7386	Power IC	40W×4ch
IC7	PST9130NR	Reset IC	Detection voltage : 3.0V
IC8	TC74HC02AF	Muting logic circuit	
IC13	NJM4565M-TE2	Noise detection AMP	
IC14	TDA7479D	RDS decoder	
Q1	2SD601A	B.U 5V AVR	Darlington connected
Q2	2SB1565F(E,F)		
Q3	DTC144EK	SW 14V	ON when the base of Q3 goes "H" while power is ON
Q4	DTA124EK		
Q5	2SB1184	AUDIO 8V AVR	Darlington connected
Q29	2SD601A		
Q6	2SD2396F40	SERBO +B AVR	
Q7	DTC144EK	Illumination AVR	ON when the base of Q7 goes "H"
Q8	DTA124EK		
Q9	2SD601A		
Q10	2SB1184		
Q19	2SA1036K	SW 5V	ON when the base goes "L" while power is ON
Q23	2SB1277(Q,R)	P-CON SW	P-CON is output when the base of Q26 goes "H"
Q26	DTC1147YK		
Q24	2SA1037K	P-CON protection circuit	Activates when the P-CON output voltage drops
Q25	DTA124EK		
Q27	2SD601A	B.U detection	Detects the back-up voltage
Q28	2SD601A	ACC detection	Detects the Acc voltage
Q31	2SD601A	DSI driver	DSI is lit when the base goes "H"
Q32	2SD601A	Eject illumination driver	Eject illumination is lit when the base goes "H"
Q40	DTA124EK	Mute driver	Muting is applied when the base goes "L"
Q41	DTC144EK	E-VOL muting	Muting is applied when the base goes "H"
Q53, 54	2SD601A	Muting	Audio output is muted when the base goes "H"
Q57	DTC144EK	SVR SW	
Q60	2SA1037K	Panel opening/closing detection	ON when the base goes "L" when the panel is closed
Q61	DTA124EK	CH2 control	CH2 is turned ON when the base goes "L"
Q70	DTC124EK	FM power SW	FM+B is turned ON when the base of Q70 goes "H" during FM reception
Q71	2SB1277(Q,R)		

KDC-5060R/RV

COMPONENT DESCRIPTION

Component	Component Name	Application/Function	Operation/Condition/Compatibility
Q72	DTC124EK	AM power SW	AM+B is turned ON when the base of Q72 goes "H" during AM reception
Q73	2SB1277(Q,R)		
Q74	DTC124EK	FM Lo/Dx SW	
Q80	2SD601A	Noise buffer	
Q81	DTC1147TK	Noise detection	
Q82	DTA124EK		

●CD PLAYER UNIT(X32-4280-00)

Component	Component Name	Application/Function	Operation/Condition/Compatibility
IC1	AN8806SB	RF amplifier	Generation of RF signal based on the signals from the APC circuit and pickup, and generation of servo error(focusing error and tracking error) signals. Detection of dropout, anti-shock, track crossing and off-track conditions.
IC2	MN662748RPH	CD signal processor LSI	Focusing, tracking, sled and spindle servo processing. Automatic adjustment (focusing, tracking, gain, offset and balance) operations. Digital signal processing (DSP, PLL, sub-codes, CICR error correction, audio data interpolation) operations.
IC3	M37471M8-371FP	Mechanism control μ -com	
IC4	BA6790FP	BTL driver	Focusing coil, tracking coil and sled motor driver.
IC5	TA78L05F	3-pin regulator	Analog 5V generation
IC6	NJM4565MD	Active filter	Secondary LPF
Q1	2SA1362(Y)	APC	
Q2	DTC124EK	P-ON	
Q3	2SA1362(Y)	A.8V SW	
Q4	2SA1362(Y)	D.5V SW	
Q5	DTC124EK	Q3 and Q4 SW	
Q6	2SA1037K	X1 oscillation stop	
Q12	DTC124EK	Track cross(TRCRS) SW	ON during play

MICROCOMPUTER'S DESCRIPTION

System μ -com : UPD784214GF(X25-801X-XX : IC1)

●Terminal description

Pin No.	Pin Name	I/O	Function	Description	Processing Operation
1	P60/A16	I	TYPE0	Destination type terminal 0	
2	P61/A17	I	TYPE1	Destination type terminal 1	
3	P62/A18	I	TYPE2	Destination type terminal 2	
4	P63/A19	O	CH RST	Changer reset output	Active : H
5	P64/RD	O	NC	(Not used)	
6	P65/WR	O	NC	(Not used)	
7	P66/WAIT	O	NC	(Not used)	
8	P67/ASTB	O	NC	(Not used)	
9	Vdd	-		Positive power supply terminal	
10	P100/TI5/TO5	O	P STBY	Power IC standby terminal	Power ON : H
11	P101/TI6/TO6	O	SVR	Power IC reset terminal	Power ON : L
12	P102/TI7/TO7	O	NC	(Not used)	
13	P103/TI8/TO8	O	P MUTE	Power IC muting terminal	Active : H
14	P30/TO0	O	ANT CON	Antenna control terminal	Active : H
15	P31/TO1	O	NC	(Not used)	
16	P32/TO2	I	DIMMER	Small lamp detection terminal	Active : L
17	P33/TI1	O	P CON	Power control terminal	Active : H
18	P34/TI2	I	ACC DET	Acc detection terminal	ACC OFF : H
19	P35/TI00	I	REMO	Remote control input terminal	
20	P36/TI01	O	P ON	μ -com peripheral power terminal	Active : H
21	P37	I	BU DET	Momentary power down detection terminal	Momentary power down : H
22	TEST	-	TEST	Test terminal	
23	P90	I/O	IC2 SDA	IC2, IC5, EEPROM data line	
24	P91	O	IC2 SCK	IC2, IC5, EEPROM clock line	
25	P92	O	MUTE	Muting terminal	Active : H
26	P93	O	SW5	5V power supply terminal	Active : L
27	P94	O	NC	(Not used)	
28	P95	O	CHCON2	Changer 2 control terminal	Active : L
29	P120/RTP0	O	CHCON1	Changer 1 control terminal	Active : H
30	P121/RTP1	I	CH MUTE	Changer muting input terminal	Muting Requested : H
31	P122/RTP2	O	REQH	Handshake request to changers	Active : L
32	P123/RTP3	O	ILL ON	Illumination output terminal	Active : H
33	P124/RTP4	O	DSI	DSI output terminal	Active : H
34	P125/RTP5	I	CD SW2	12cm disc detection switch terminal	ON : L
35	P126/RTP6	I	CD SW1	Loading switch detection terminal	ON : L
36	P127/RTP7	I	M DATAM	Data line from CD mechanism	
37	Vdd	-		Positive power supply terminal	
38	X2	-		Main clock connection terminal	
39	X1	-		Main clock connection terminal	
40	Vss	-		GND	
41	XT2	-		Sub clock connection terminal	
42	XT1	-		Sub clock connection terminal	
43	RESET	I		Reset input terminal	Active : L
44	P00/INTP0	O	NC	Reset output to changers	Active : H
45	P01/INTP1	I	R CLK	RDS clock input terminal	
46	P02/INTP2/NMI	I	REQC	Handshake request from changers	Active : L
47	P03/INTP3	I	EJECT	Eject switch	Active : L
48	P04/INTP4	O	M CLK	Clock line to CD mechanism	
49	P05/INTP5	O	M DATAS	Data line to CD mechanism	
50	P06/INTP6	I	M SRQ	Handshake request from CD mechanism	Requested : \bar{L}

KDC-5060R/RV

MICROCOMPUTER'S DESCRIPTION

Pin No.	Pin Name	I/O	Function	Description	Processing Operation
51	AVdd	-		A/D analog power supply terminal	
52	AVref0	-		A/D reference voltage input terminal	
53	P10/ANI0	I	PHONE	Phone detection terminal	1V or less : PHONE 2.5V or more : NAVI MUTE
54	P11/AINI1	I	NC	Input GND shorted	
55	P12/ANI2	I	NOISE	FM noise detection terminal	
56	P13/ANI3	I	SMETER	FM signal meter detection terminal	
57	P14/ANI4	I	NC	Input GND shorted	
58	P15/ANI5	I	NC	Input GND shorted	
59	P16/ANI6	I	TILT DET	Tilt-able panel detaching detection terminal	Panel detached : H
60	P17/ANI7	I	M MUTE	Muting request from CD mechanism	Muting Requested : L
61	Avss	-		A/D GND terminal	
62	P130/ANO0	O	M CS	Handshake request to CD mechanism	Requested : L
63	P131/AN01	O	M RST	Reset output to CD mechanism	Reset : L
64	AVref1	-		D/A reference voltage input terminal	
65	P70/RxD2/SI2	I	DATA C	Data line from changers	
66	P71/TxD2/SO2	O	DATA H	Data line to changers	
67	P72/ASCK2/SCK2	I/O	CH CLK	Clock line from/to changers	
68	P20/RxD1/SI1	I	L DATA L	Data line to LCD driver	
69	P21/TxD1/SO1	O	L DATA S	Data line from LCD driver	
70	P22/ASCK1/SCK1	O	L CLK	Clock line to LCD driver	
71	P23/PCL	O	M STOP	Stop request to CD mechanism	Stop Requested : L
72	P24/BUZ	O	BEEP	Beep output terminal	Active : H
73	P25/SI0/SDA0	O	PLL CE	CE output to PLL	
74	P26/SO0	O	PLL DATA	Data input/output with PLL	
75	P27/SCK0/SCL0	O	PLL CLK	Clock output to PLL	
76	P80/A0	I	CD SW3	DOWN switch detection terminal	ON : H
77	P81/A1	I/O	LO/EJ	CD mechanism Loading/Eject switching output terminal	Loading : L / Eject : H
78	P82/A2	O	MOSW	CD mechanism motor output terminal	Loading : H / Eject : L
79	P83/A3	O	L RES	(Not used)	
80	P84/A4	O	L CE	CE output to LCD driver	
81	P85/A5	I	PANEL	Panel tilting detection terminal	Panel tilted : H
82	P86/A6	O	EJECT ILL	Eject switch illumination terminal	Active : H
83	P87/A7	O	NC	(Not used)	
84	P40/AD0	I	QUAL	RDS receiving condition	
85	P41/AD1	I	R DATA	RDS data input terminal	
86 - 89	P42 - 45/AD2 - 5	O	NC	(Not used)	
90	P46/AD6	I	FM SD	FM SD input terminal	Station detected : H Not detected : L
91	P47/AD7	O	NC	(Not used)	
92	P50/A8	O	AFC	Noise detection time constant switching terminal	During reception : H During search : L
93	P51/A9	O	LO/DX	LOCAL output terminal	Local : H / Normal : L
94	P52/A10	O	NC	(Not used)	
95	P53/A11	O	NC	(Not used)	
96	P54/A12	O	AM+B	AM power terminal	Active : H
97	P55/A13	O	FM+B	FM power terminal	Active : H
98	P56/A14	I	ST TYPE0	IC2 Ver.2 destination type terminal 0	Initial value : L
99	P57/A15	I	ST TYPE1	IC2 Ver.2 destination type terminal 1	Initial value : L
100	Vss	-		GND	

TEST MODE AND ADJUSTMENT

● TEST MODE AND ADJUSTMENT

1. To enter test mode

While holding the **[FM]** key and preset **[6]** key, reset the unit.

All indication segments are ON at the beginning of test mode.

2. To release test mode

Simply reset the unit.

(NOTE):

The test mode is not canceled by ACO OFF, power OFF, momentary power down or the panel detaching.

3. FM signal meter voltage adjustment

- 1) Enter test mode.
- 2) Receive 98.1MHz with the SG and set the ANT input level to 35dB μ . The modulation should be off during this.
- 3) While holding preset **[1]** key, press and hold preset **[6]** key for a few seconds.
- 4) "ADJ OK" is displayed if the adjustment is OK and "ADJ NG" is displayed if it is not good.

4. AM SD voltage writing

- 1) Enter test mode.
- 2) Receive 999kHz or 1000kHz with the SG and set the ANT input level to 35dB μ . The modulation should be off during this.
- 3) While holding preset **[1]** key, press and hold preset **[6]** key for a few seconds to write the SD voltage.

5. CD receiver test mode specification

Pressing the **[▶▶]** key jumps between tracks in the following order.

No.9 → No.15 → No.10 → No.11 → No.12
→ No.13 → No.14 → No.19 (Same as the beginning)

Pressing the **[◀◀]** key jumps to the previous track to the track being played.

6. Audio adjustments

- The volume is set to -10dB (which is shown as 30).
- The BASS/TREBLE and BALANCE/FADER controls can be set to the full boost/full cut and full front/full rear respectively by pressing the **[▲]** / **[▼]** keys.
- The high pass filter can be set to 220Hz/through by pressing the **[▲]** / **[▼]** keys.
- Note that, however, the non-fader control is varied in +1dB/ -1dB steps by pressing the **[▲]** / **[▼]** keys.

PC BOARD (Component side view)

(Foil side view)

SWITCH UNIT (X13-9182-72)

X13-9182-72 (J74-0704-12)

SWITCH UNIT (X13-9182-72)

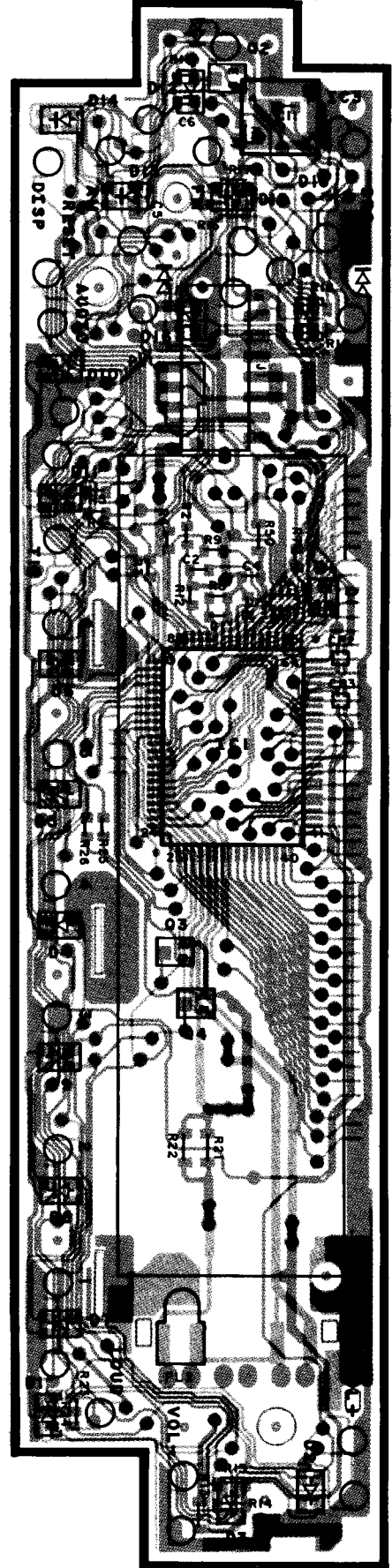
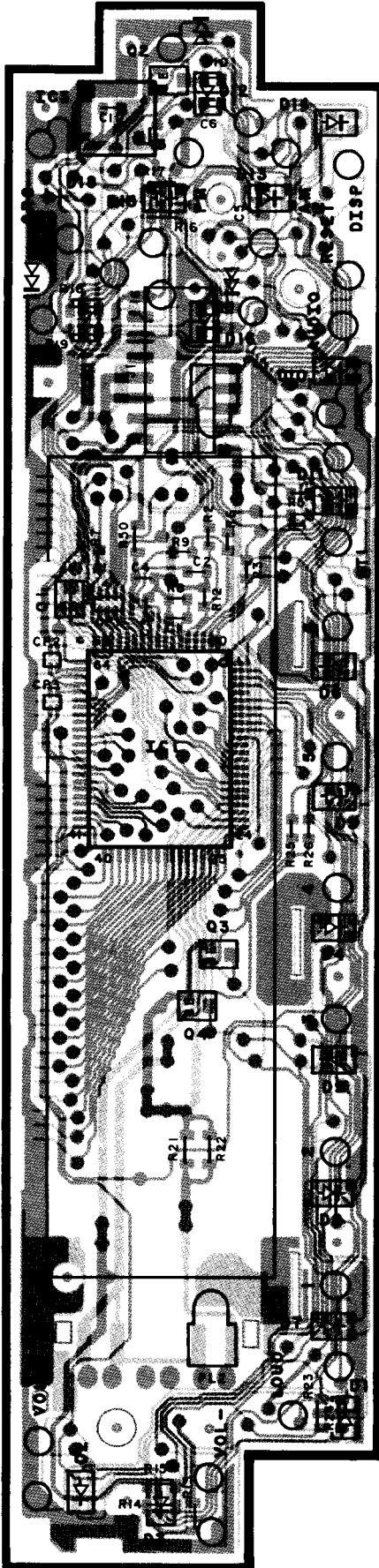
X13-9182-72 (J74-0704-12)

SWITCH UNIT
(X13-9182-72)

Ref.NO		Address
IC	Q	
1		4B
3		2B
	1	3B
	2	1B

SWITCH UNIT
(X13-9182-72)

Ref.NO		Address
IC	Q	
1		4E
3		2E
	1	3E
	2	1E



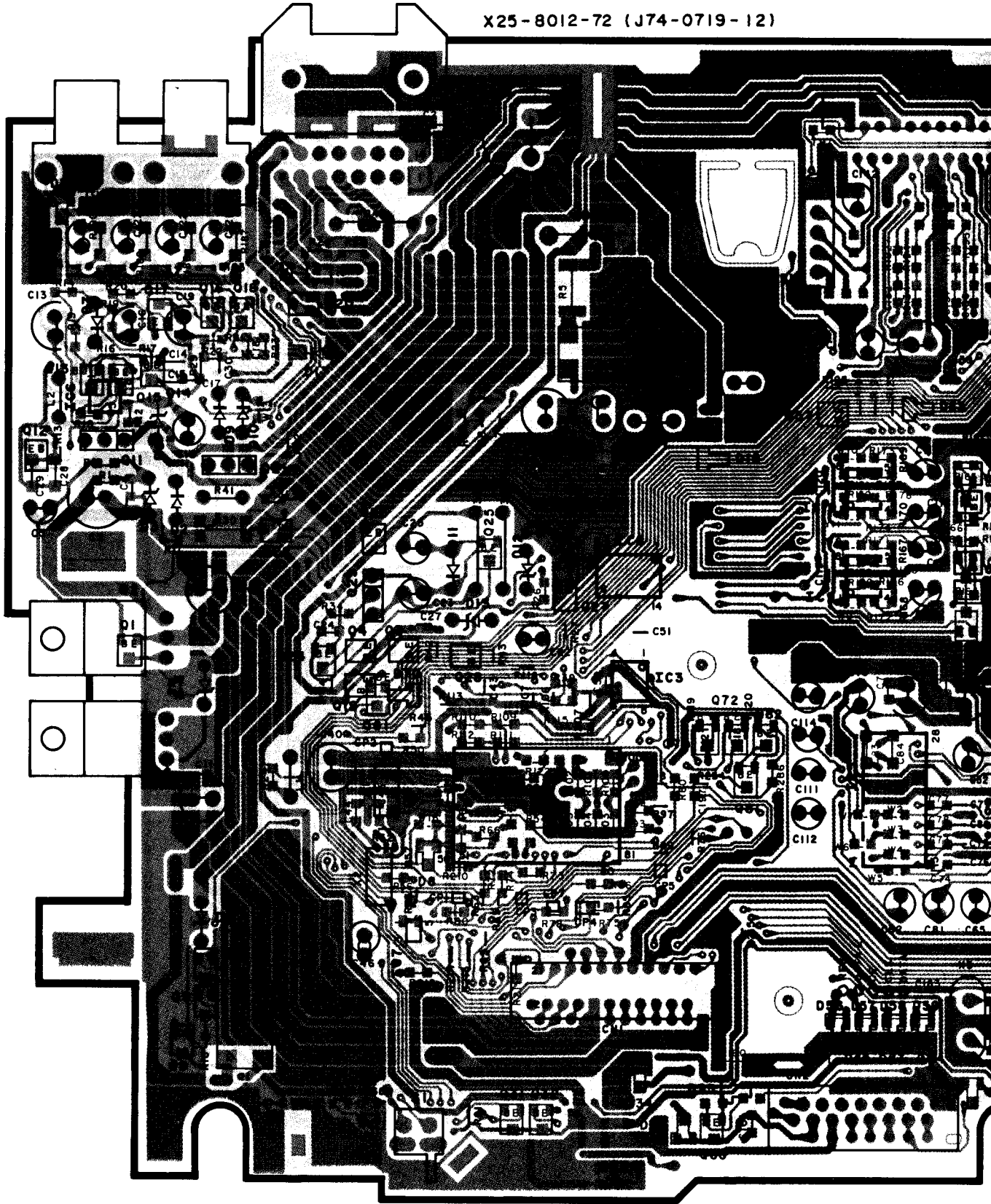
PC BOARD (Component side view)

ELECTRIC UNIT
(X25-8012-72)

ELECTRIC UNIT (X25-8012-72)

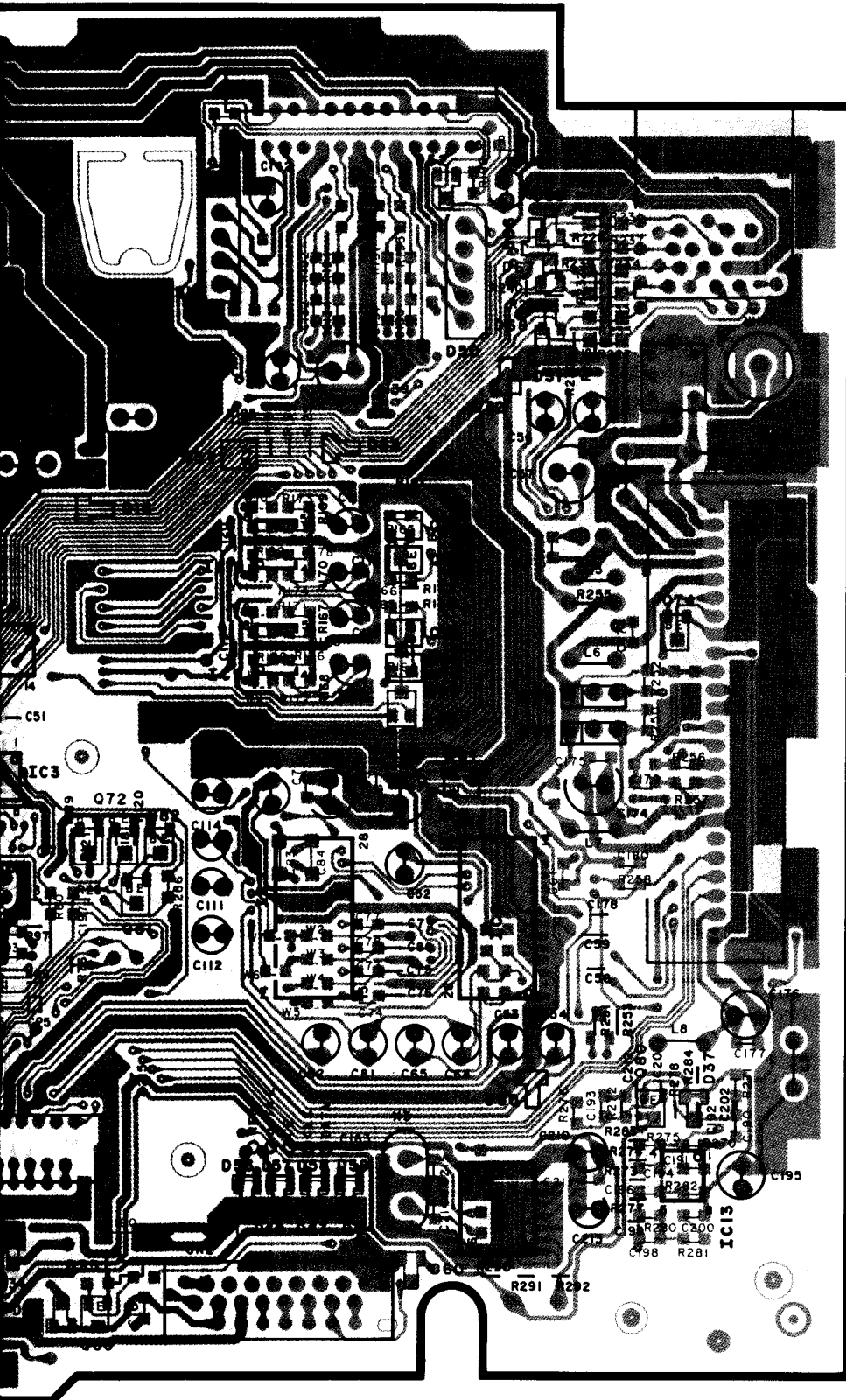
X25-8012-72 (J74-0719-12)

Ref.NO		Address
IC	Q	
1		5I
2		5K
3		4J
4		2K
7		5H
8		4J
13		6L
14		6L
1		4G
2		4G
3		4H
4		4H
5		3J
6		5G
7		6H
8		6H
9		6G
10		6H
19		4H
23		4H
24		4H
25		4I
26		4H
27		4I
28		4I
29		3J
31		6I
32		6I
40		4K
41		4K
53		4K
54		4K
57		3J
60		6J
61		4H
70		5J
71		4L
72		5J
73		4L
74		4L
80		6L
81		5J
82		5J



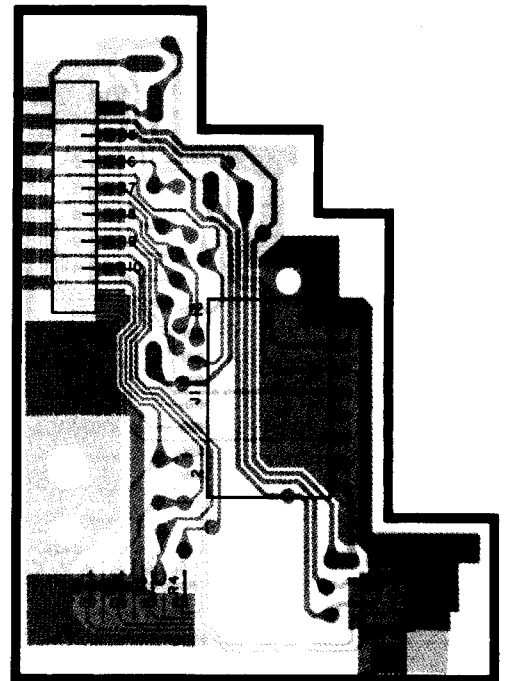
Refer to the sch

J74-0719-12)



DAUGHTER UNIT (X89-2280-10)

X89-2280-10
(J74-0720-02)



Refer to the schematic diagram for the values of resistors and capacitors.

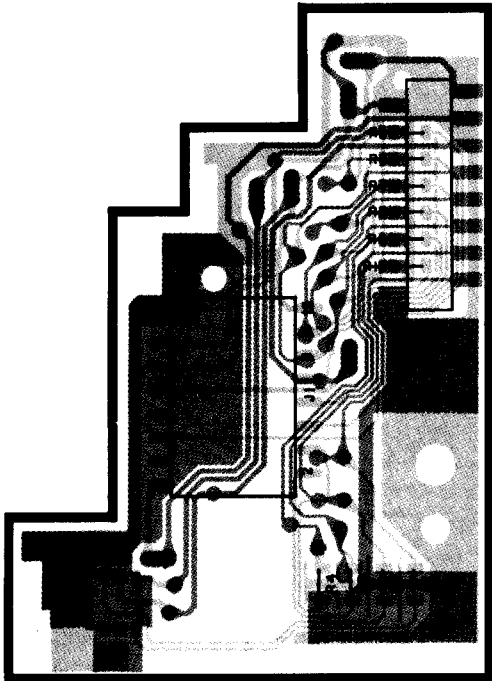
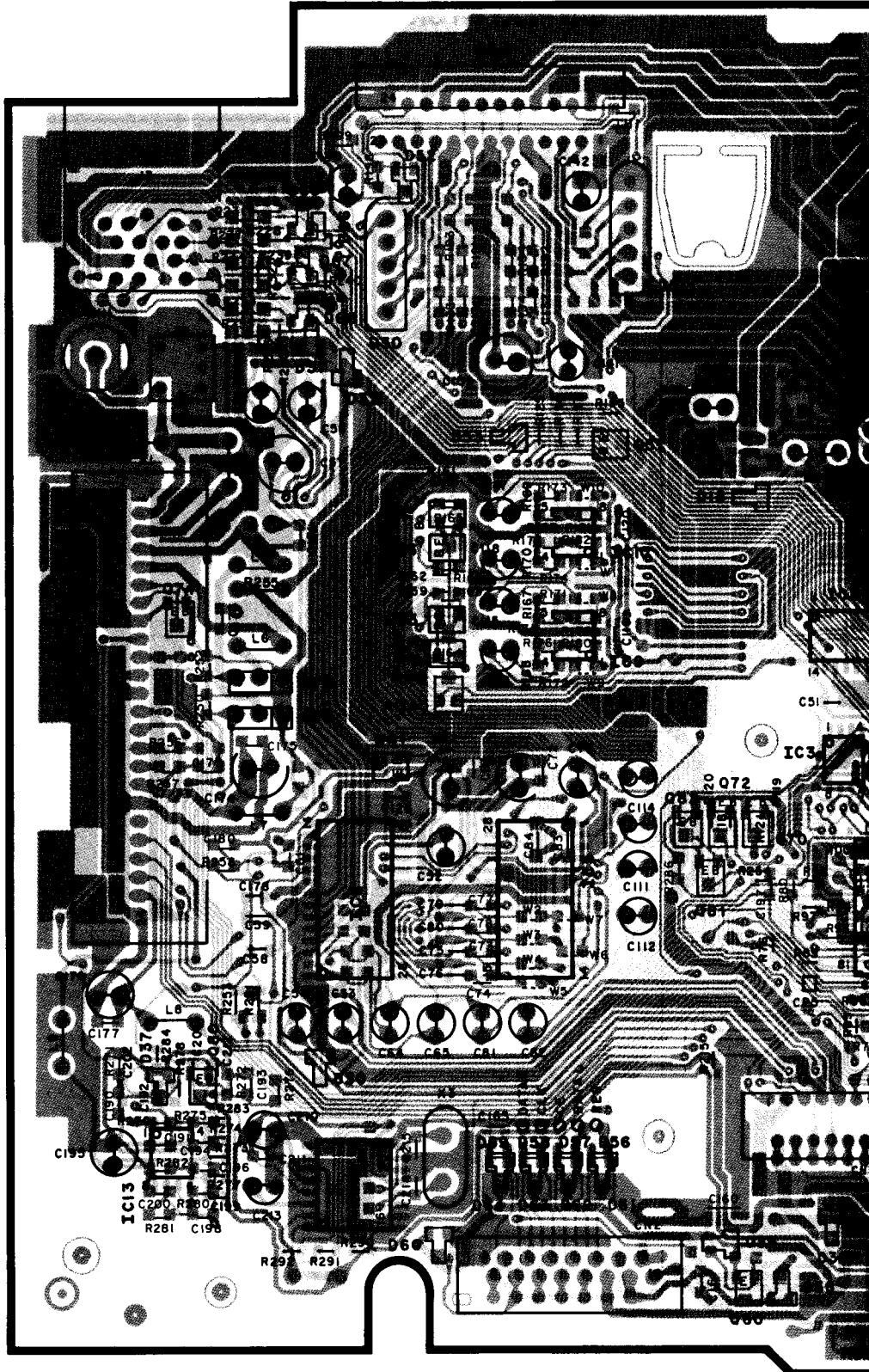
P C R S T U
PC BOARD (Foil side view)

ELECTRIC UNIT (X25-8012-72)

X25-8012-72 (J74-0719-12)

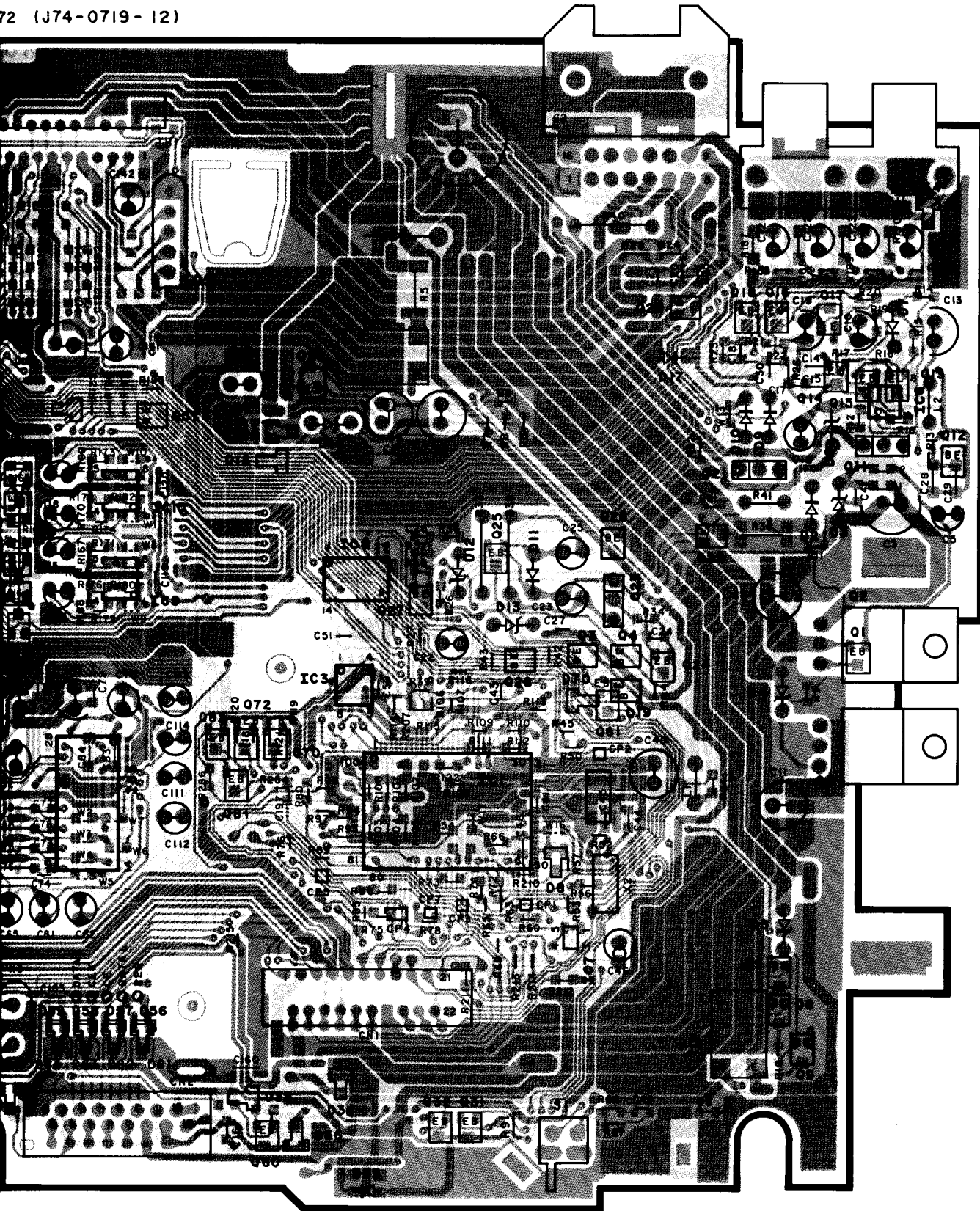
DAUGHTER UNIT (X89-2280-10)

X89-2280-10
(J74-0720-02)



Refer to the schematic diagram for the values of resistors and capacitors.

72 (J74-0719-12)



ELECTRIC UNIT
(X25-8012-72)

Ref. NO		Address
IC	Q	
1		5V
2		5S
3		4U
4		2T
7		6V
8		4U
13		6R
14		6S
	1	4W
	2	4W
	3	4V
	4	4V
	5	3U
	6	5W
	7	6W
	8	6W
	9	6W
	10	6W
	19	4V
	23	4V
	24	4W
	25	4V
	26	4V
	27	4U
	28	4V
	29	3U
	31	6V
	32	6U
	40	4S
	41	4S
	53	4S
	54	4S
	57	3T
	60	6U
	61	4V
	70	5U
	71	4S
	72	5U
	73	4S
	74	4R
	80	6R
	81	5T
	82	5T

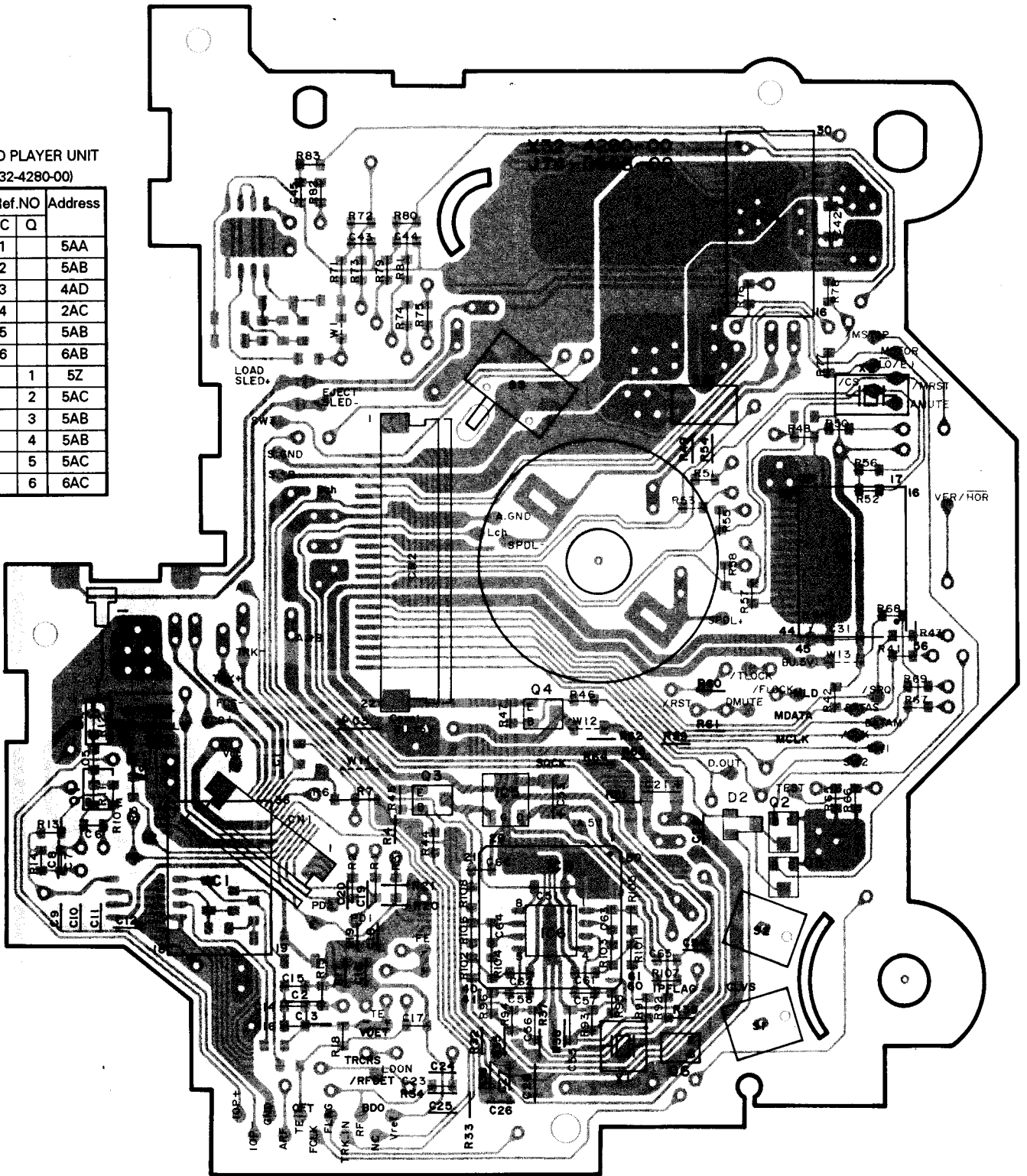
and capacitors.

PC BOARD (Component side view)

CD PLAYER UNIT (X32-4280-00)

CD PLAYER UNIT
(X32-4280-00)

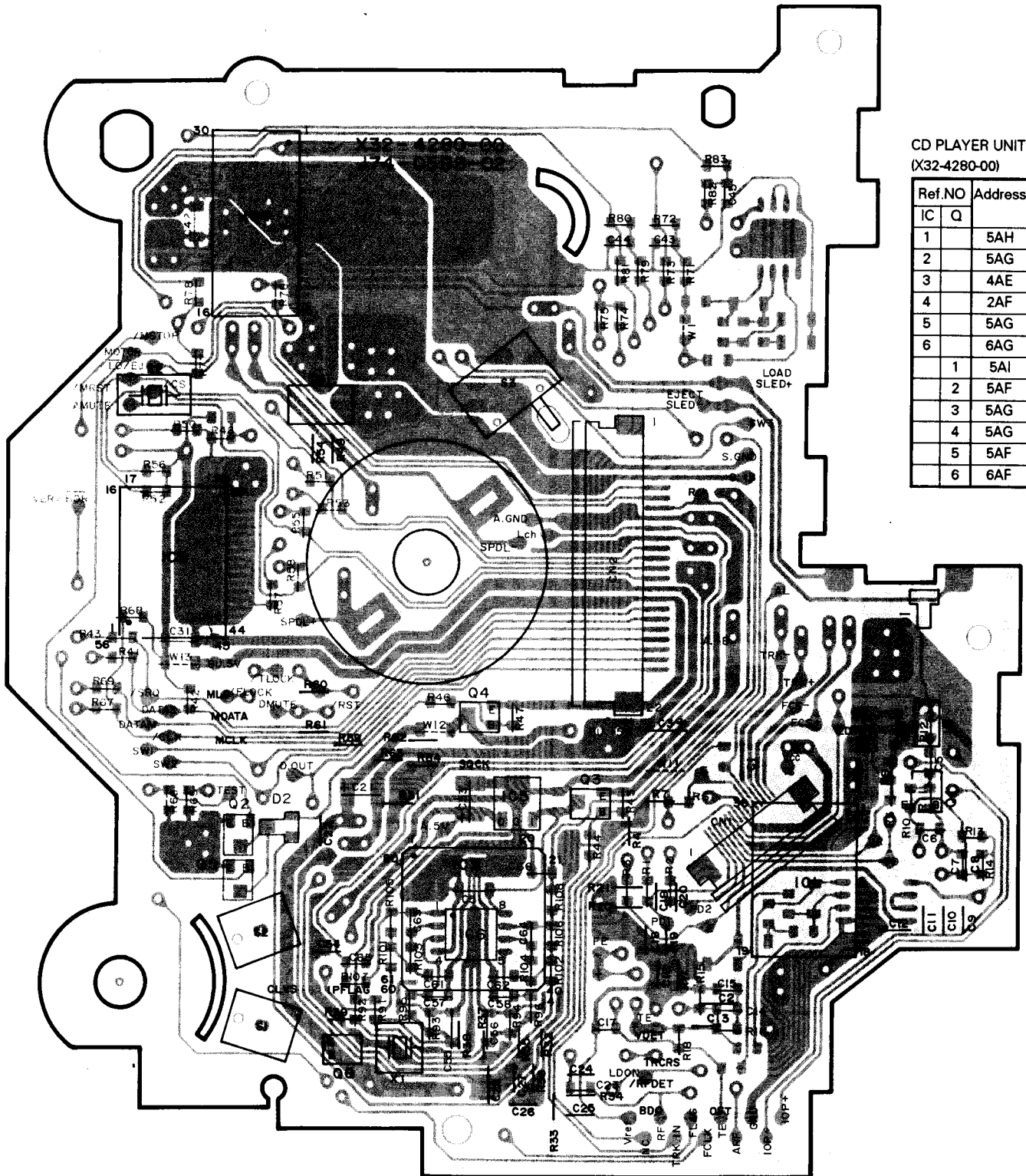
Ref.NO	Address
IC Q	
1	5AA
2	5AB
3	4AD
4	2AC
5	5AB
6	6AB
1	5Z
2	5AC
3	5AB
4	5AB
5	5AC
6	6AC



Refer to the schematic diagram for the values of resistors and capacitors.

PC BOARD (Foil side view)

CD PLAYER UNIT (X32-4280-00)

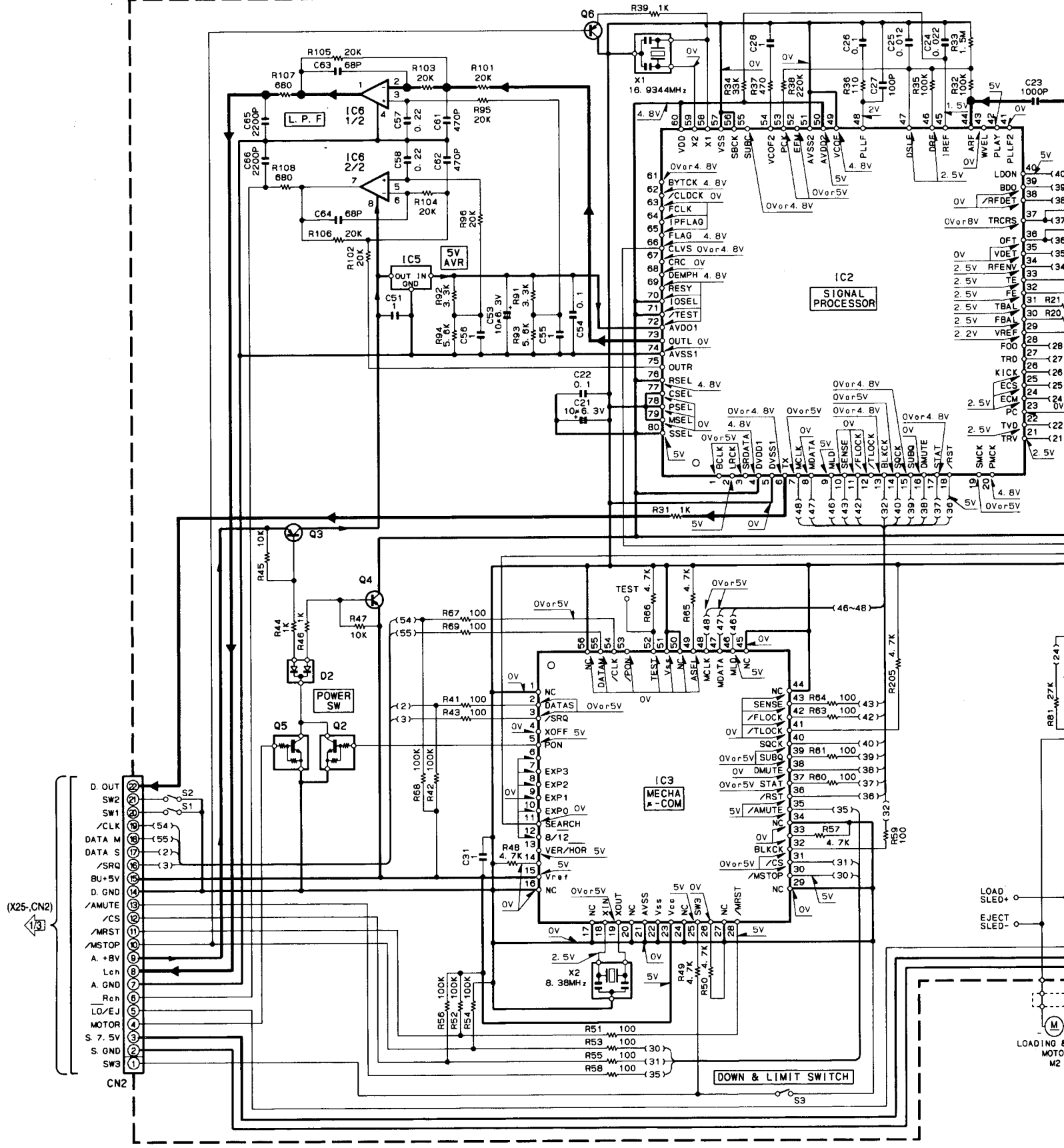


CD PLAYER UNIT
(X32-4280-00)

Ref.NO	Address
1	5AH
2	5AG
3	4AE
4	2AF
5	5AG
6	6AG
IC	Q
1	5AI
2	5AF
3	5AG
4	5AG
5	5AF
6	6AF

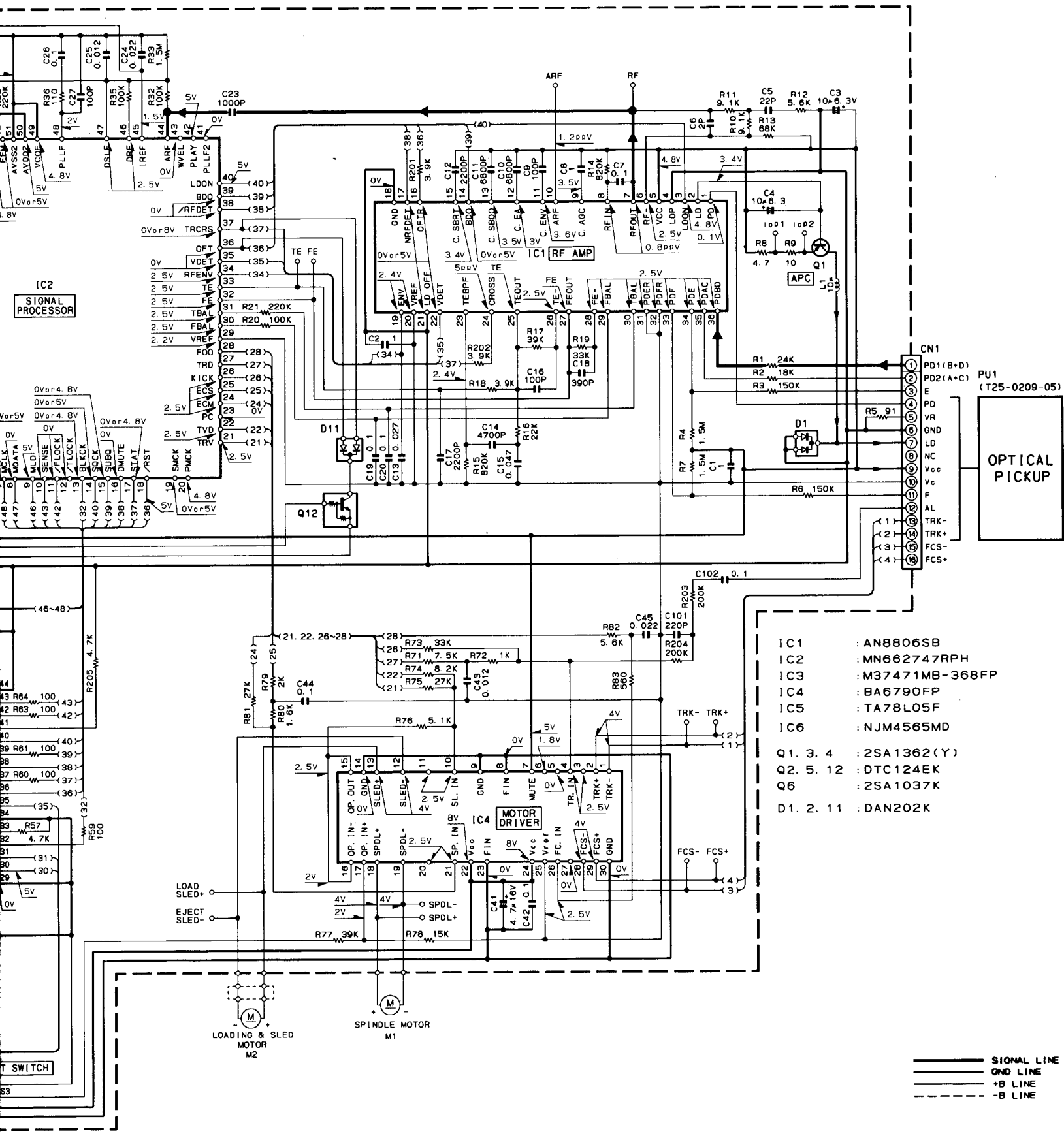
Refer to the schematic diagram for the values of resistors and capacitors.

CD PLAYER UNIT (X32-4280-00)



CAUTION: For continued safety, replace safety critical components only with manufacturer's recommended parts (refer to parts list). Δ Indicates safety critical components. To reduce the risk of electric shock, leakage-current or resistance measurements shall be carried out (exposed parts are acceptably insulated from the supply circuit) before the appliance is returned to the customer.

DC voltages:
Values may
instruments



- IC1 : AN8806SB
- IC2 : MN662747RPH
- IC3 : M37471MB-368FP
- IC4 : BA6790FP
- IC5 : TA78L05F
- IC6 : NJM4565MD

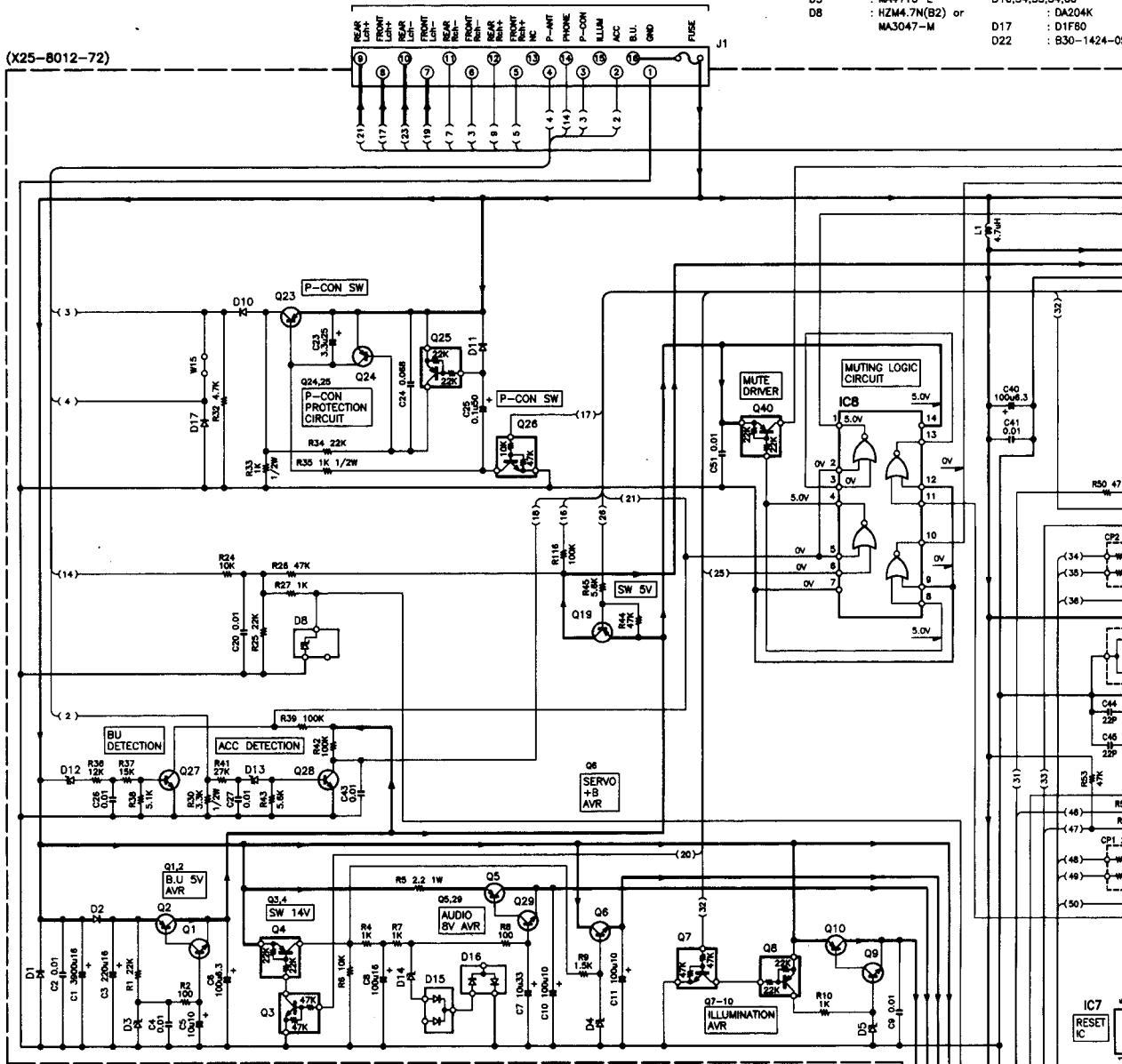
- Q1, 3, 4 : 2SA1362(Y)
- Q2, 5, 12 : DTC124EK
- Q6 : 2SA1037K

- D1, 2, 11 : DAN202K

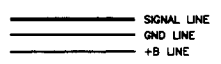
Replace safety critical recommended parts by critical components. Leakage-current or exposed parts (exposed parts apply circuit) before the

DC voltages are as measured with a high impedance voltmeter. Values may vary slightly due to variations between individual instruments or/and units.

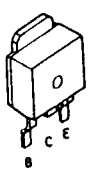
- D1 : RM10ZLF
- D2,10 : AM017 or ERA15-01
- D3,12,13 : MA4056(N)-M
- D4 : MA4082(N)-L
- D5 : MA4110-L
- D6 : HZM4.7N(B2) or MA3047-M
- D11 : 1SS133
- D14 : MA4068(N)-M
- D15,37,56-59,70 : MA152WK or DAN202K
- D16,34,35,54,60 : DA204K
- D17 : D1F80
- D22 : 830-1424-05



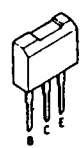
- IC1 : UPD784214GF507
- IC2 : TDA7461D
- IC3 : BR24C01AF
- IC4 : TDA7386
- IC7 : PST8130NR
- IC8 : TC74HC02AF
- IC13 : NJM4565M-TE2
- IC14 : TDA7479D
- Q1,9,27-29,31,32,53,54,80 : 2SD601A or 2SC2412K
- Q2 : 2SB1565F(E,F)
- Q3,7,41,57 : DTC144EK or UN2213
- Q4,8,25,40,81,82 : DTA124EK or UN2112
- Q5,10 : 2SB1184
- Q6 : 2SD2398F40
- Q19 : 2SA1036K
- Q23,71,73 : 2SB1277(Q,R)
- Q24,60 : 2SA1037K or 2SB709A
- Q26 : DTC114YK or UN2214
- Q70,72,74 : DTC124EK or UN2212
- Q81 : DTC114TK or UN2215



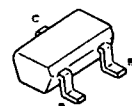
- DTA114EK
- DTA124EK
- DTC114YK
- DTC124EK
- DTC144EK
- 2SA1036K
- 2SA1362
- 2SB709A
- 2SC2412K



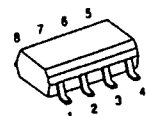
2SB1184



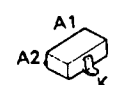
2SB1277



2SA1037K

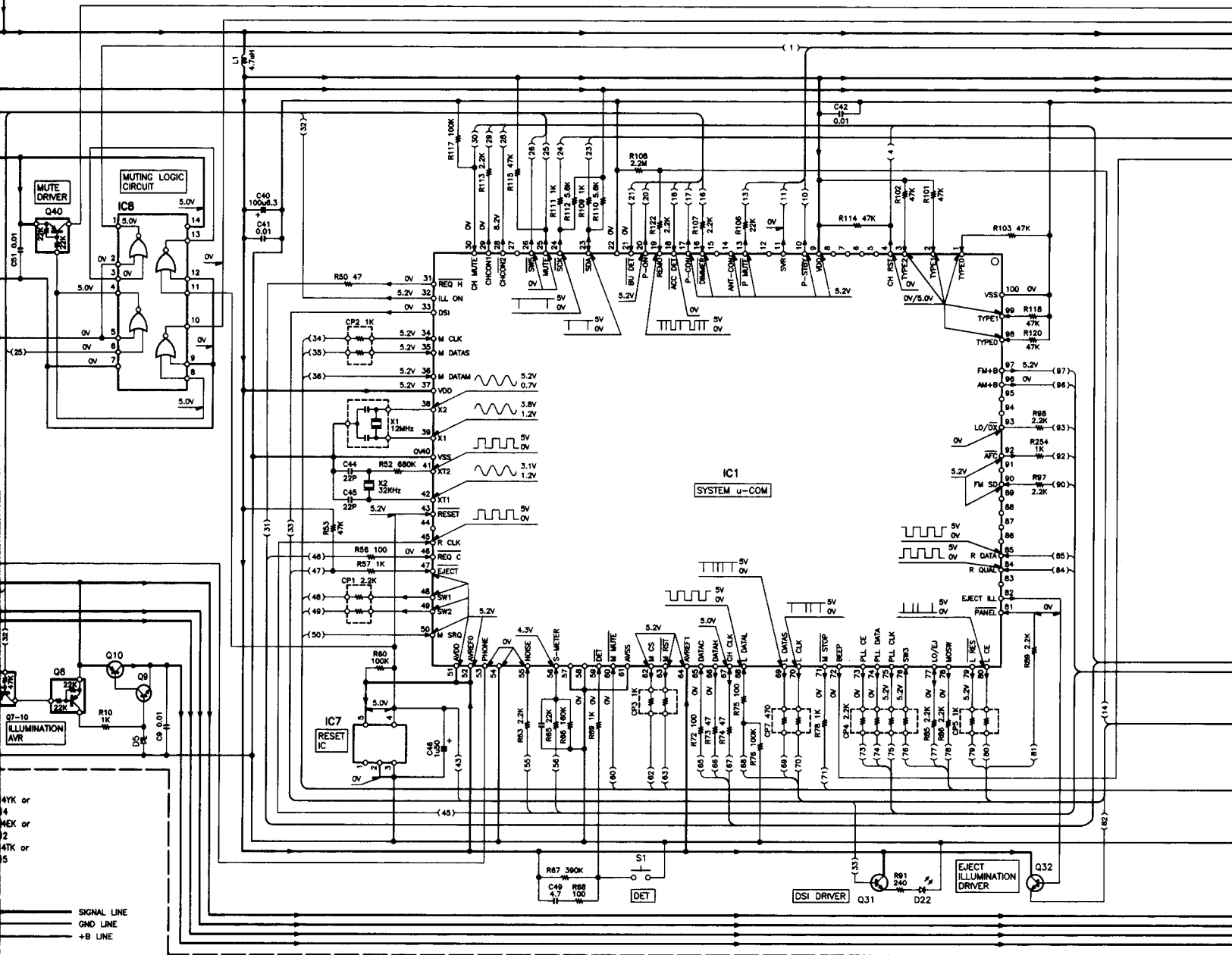


NJM4565MD



DAN202K

- | | | |
|------------------------------|--------------------------------------|-----------------------------------|
| D1 : RM10ZLF | D11 : 1SS133 | D30-32 : RD6.8MW |
| D2,10 : AM01Z or ERA15-01 | D14 : MA4058(N)-M | D36,66-69 : MA3082WA |
| D3,12,13 : MA4056(N)-M | D15,37,56-59,70 : MA152WK or DAN202K | D50,51 : D1CA60R |
| D4 : MA4082(N)-L | D16,34,35,54,80 : DA204K | D52,53,61-64 : MA152WA or DAP202K |
| D5 : MA4110-L | D17 : D1F60 | D65 : DSP-301N-A21F |
| D8 : HZM4.7N(B2) or MA3047-M | D22 : B30-1424-05 | A1 : W02-3120-05 |



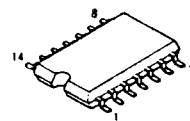
DAN202K



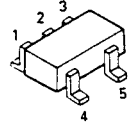
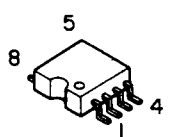
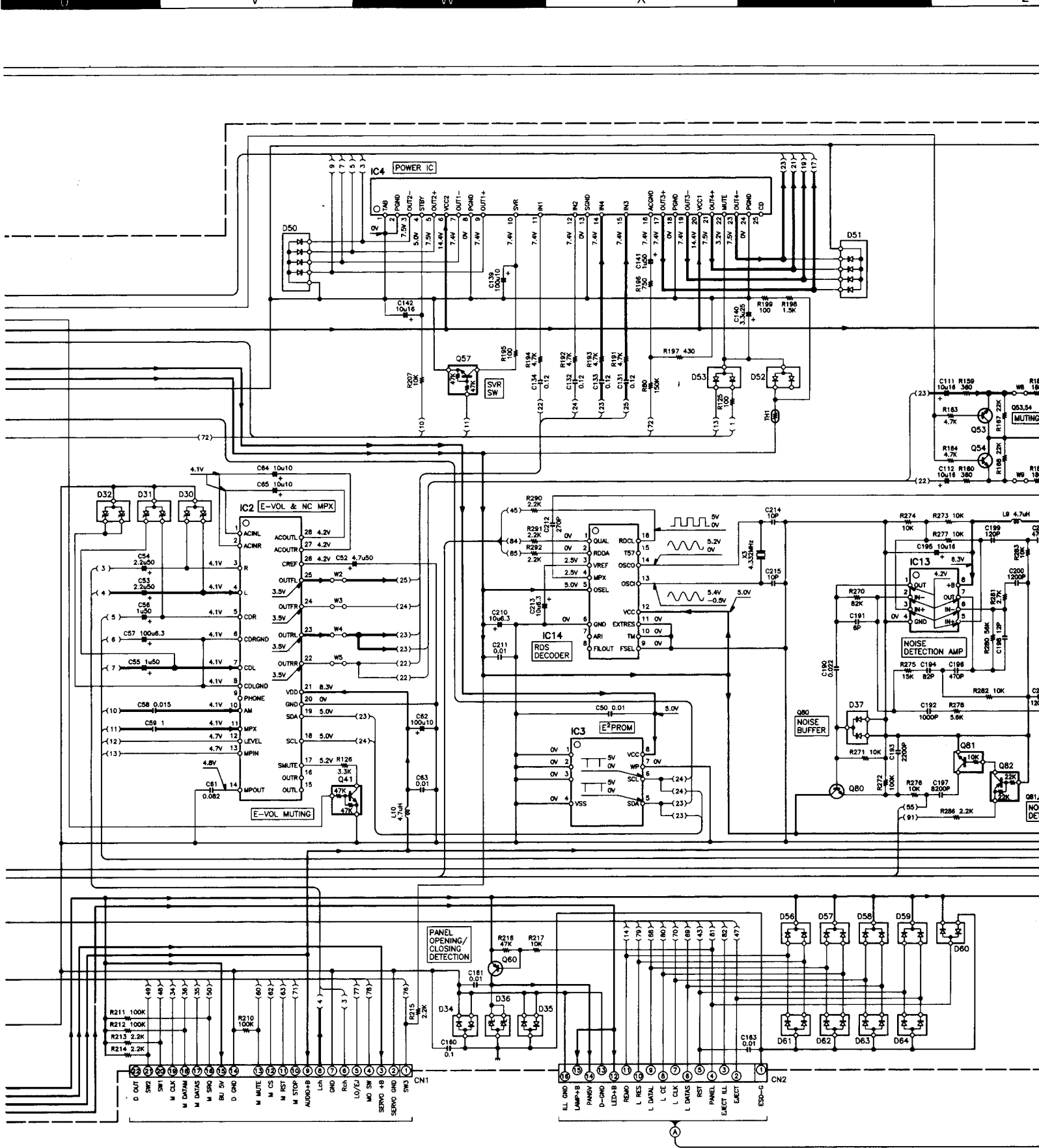
TA78L05F



DA204K



TC74HC02AF

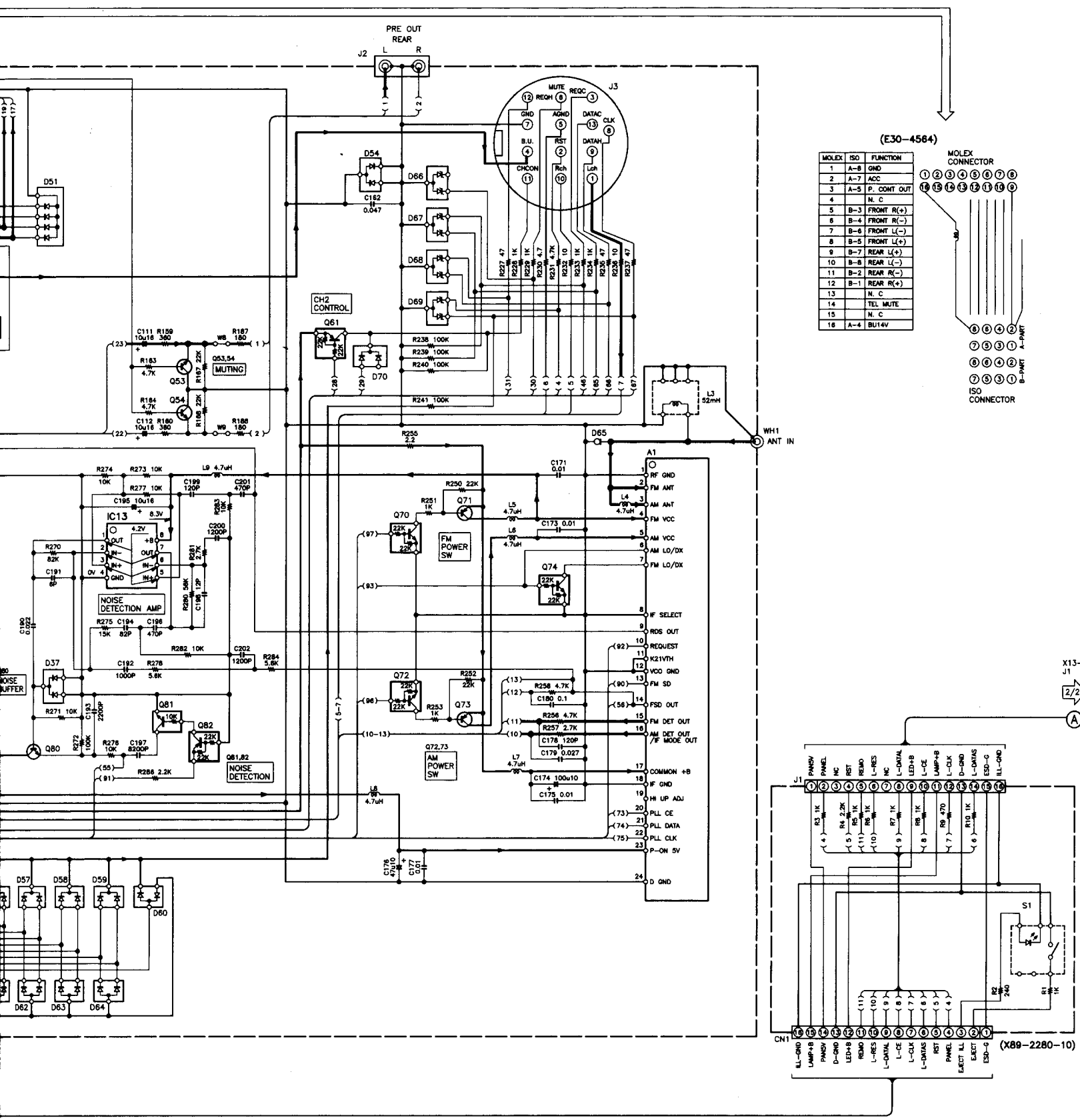


BR24C01AF

PST9130NR
AN8806SB

CAUTION: For continued safety, replace safety critical components only with manufacturer's recommended parts (refer to parts list). Δ Indicates safety critical components. To reduce the risk of electric shock, leakage-current or resistance measurements shall be carried out (exposed parts are acceptably insulated from the supply circuit) before the appliance is returned to the customer.

DC voltages are a
Values may vary
instruments or an



(E30-4564)

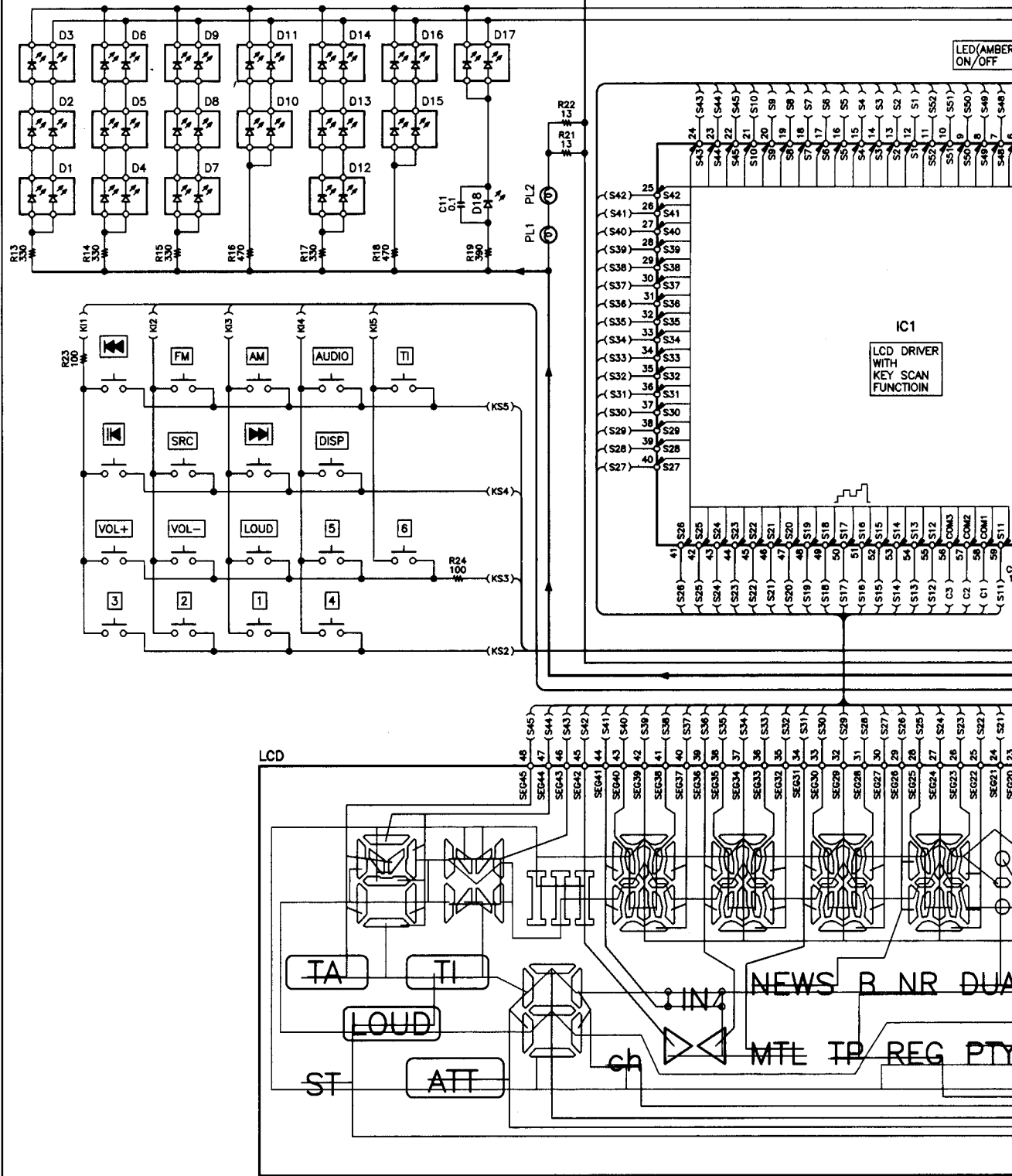
MOLEX	ISO	FUNCTION
1	A-8	GND
2	A-7	ACC
3	A-5	P. CONT OUT
4		N. C.
5	B-3	FRONT R(+)
6	B-4	FRONT R(-)
7	B-6	FRONT L(-)
8	B-5	FRONT L(+)
9	B-7	REAR L(+)
10	B-8	REAR L(-)
11	B-2	REAR R(-)
12	B-1	REAR R(+)
13		N. C.
14		TEL MUTE
15		N. C.
16	A-4	BU14V

MOLEX CONNECTOR

ISO CONNECTOR

X89-
J1
1/2
A

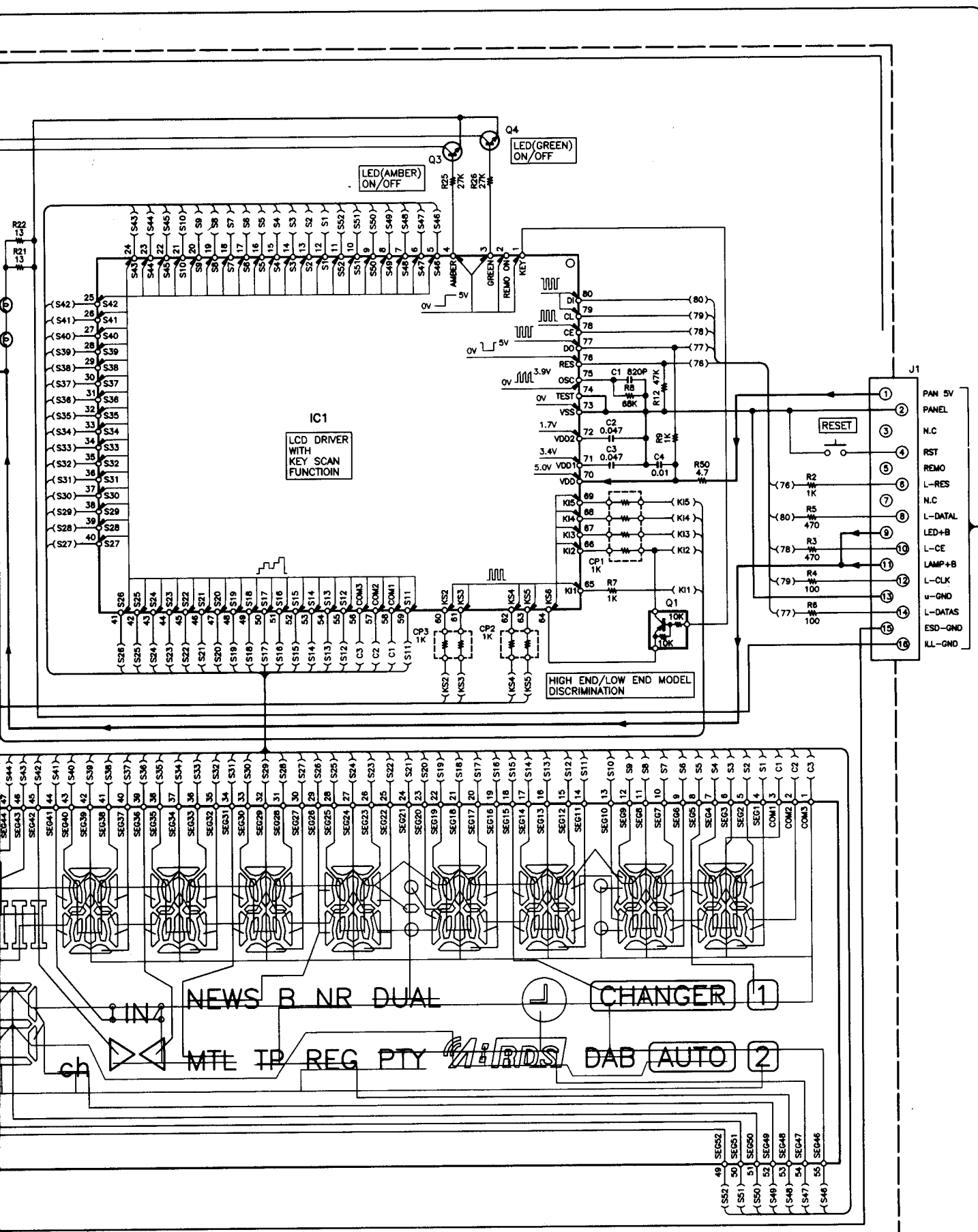
(X13-9182-72)



CAUTION: For continued safety, replace safety critical components only with manufacturer's recommended parts (refer to parts list). Δ Indicates safety critical components. To reduce the risk of electric shock, leakage-current or resistance measurements shall be carried out (exposed parts are acceptably insulated from the supply circuit) before the appliance is returned to the customer.

DC voltages are as measured with a high impedance voltmeter. Values may vary slightly due to variations between individual instruments or/and units.

IC1 : LC75883E Q1, : DTA114EK D1-17
Q3,4 : 2SD2114K D18



IC1 : LC75883E

Q1, : DTA114EK
Q3,4 : 2SD2114K

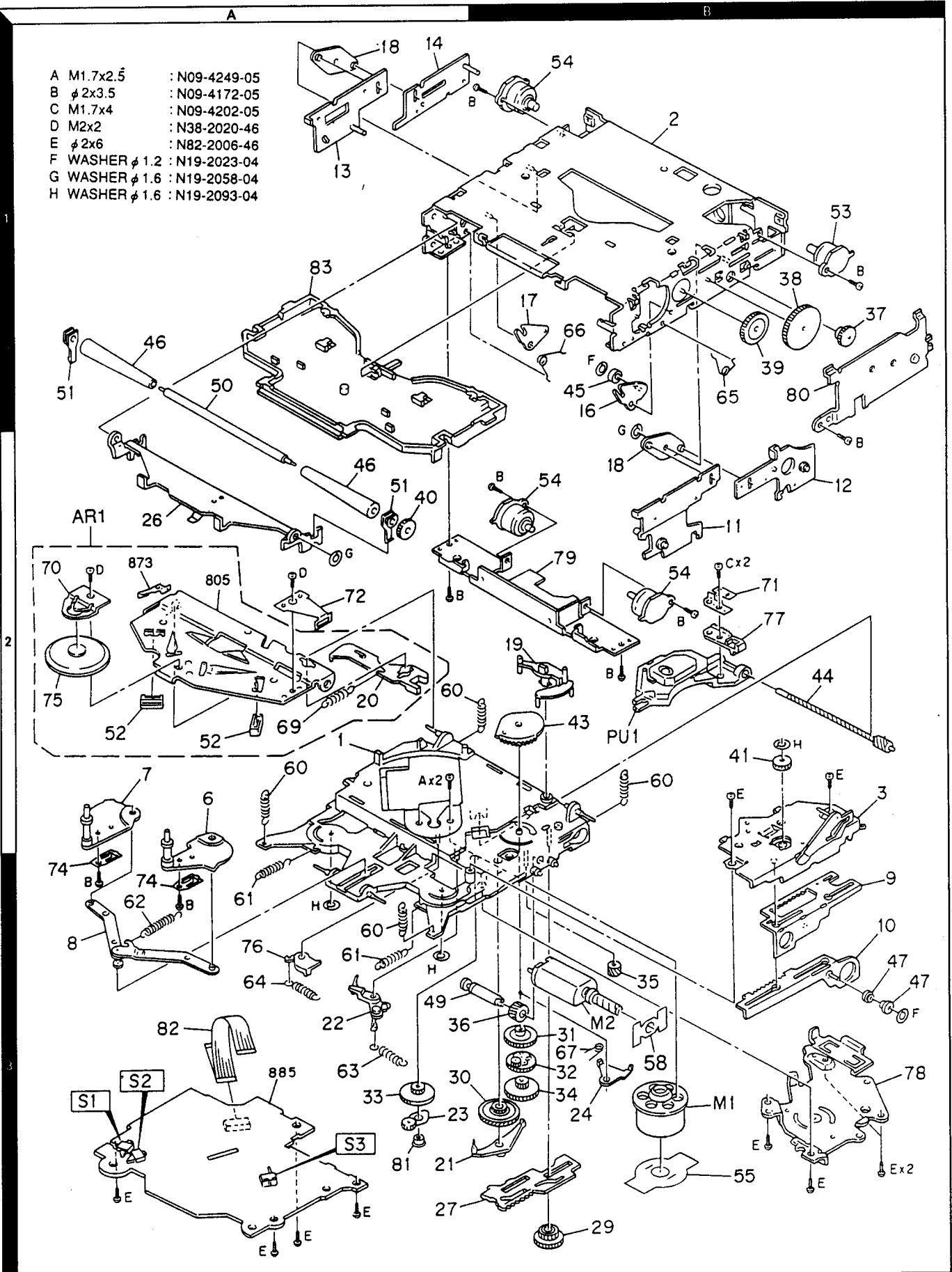
D1-17 : B30-1510-05
D18 : B30-1489-05

— GND LINE
— +B LINE

high impedance voltmeter.
connections between individual

EXPLODED VIEW(MECHANISM UNIT)

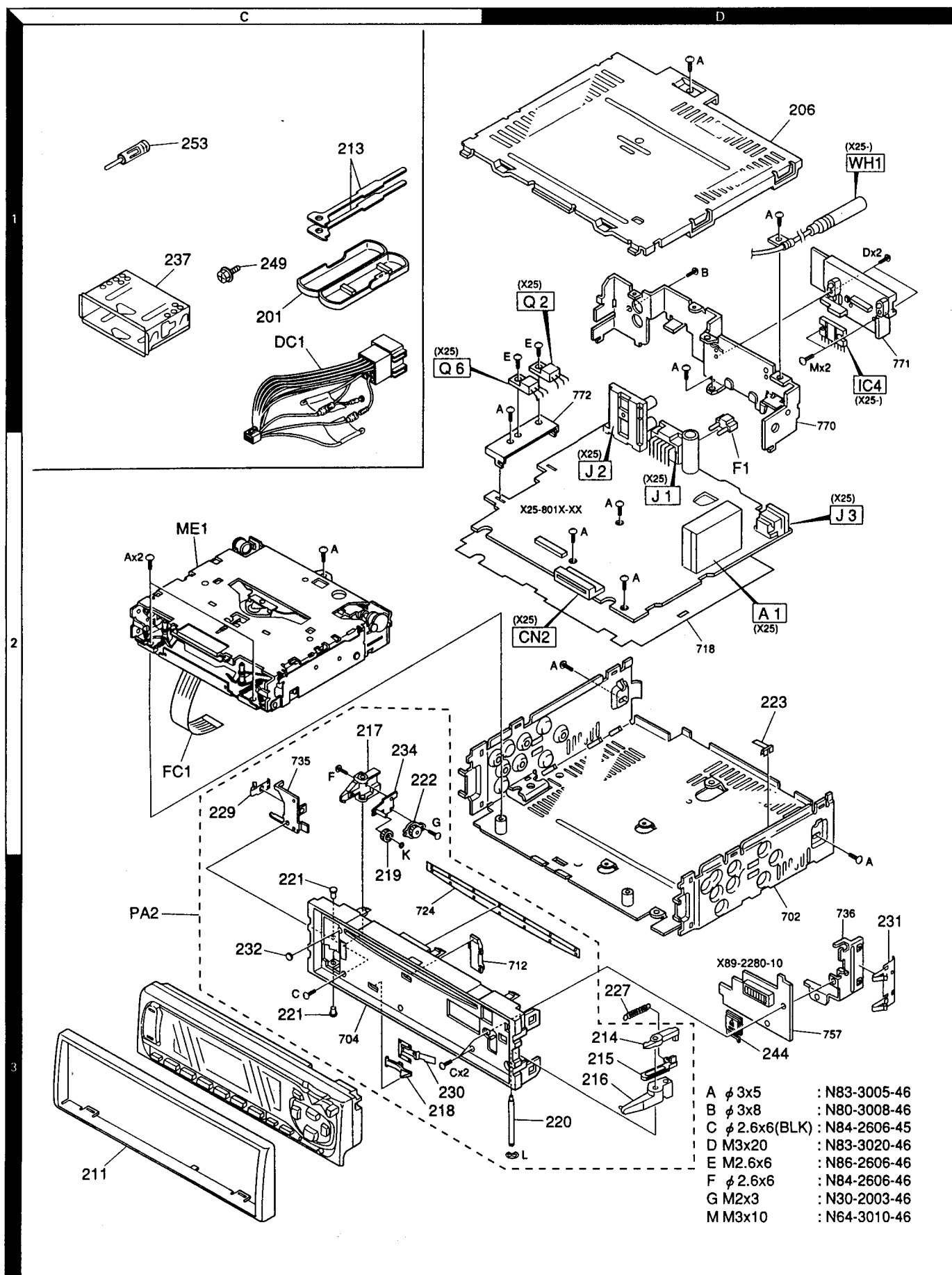
- | | | |
|---|-------------|---------------|
| A | M1.7x2.5 | : N09-4249-05 |
| B | φ2x3.5 | : N09-4172-05 |
| C | M1.7x4 | : N09-4202-05 |
| D | M2x2 | : N38-2020-46 |
| E | φ2x6 | : N82-2006-46 |
| F | WASHER φ1.2 | : N19-2023-04 |
| G | WASHER φ1.6 | : N19-2058-04 |
| H | WASHER φ1.6 | : N19-2093-04 |



Parts with the exploded numbers larger than 700 are not supplied.

KDC-5060R/RV

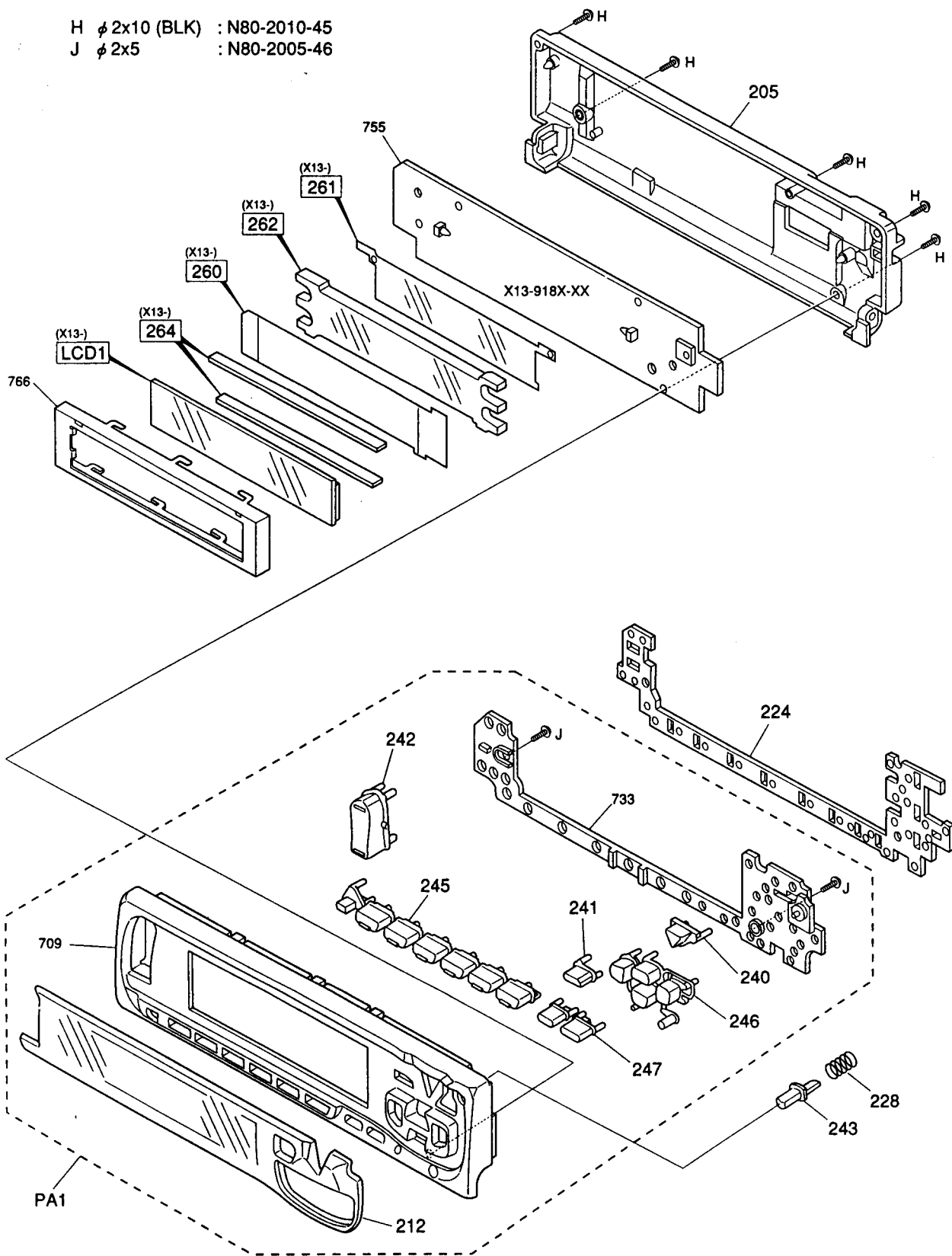
EXPLODED VIEW (UNIT)



Parts with the exploded numbers larger than 700 are not supplied.

EXPLODED VIEW(UNIT)

H ϕ 2x10 (BLK) : N80-2010-45
J ϕ 2x5 : N80-2005-46



KDC-5060R/RY

PARTS LIST

* New Parts

Parts without Parts No. are not supplied.

Les articles non mentionnes dans le Parts No. ne sont pas fournis.

Teile ohne Parts No. werden nicht geliefert.

Ref.No.	A d d	N e w	Parts No.	Description	Dest inati on
KDC-5060R/RY					
201	1C		A02-1466-13	PLASTIC CABINET ASSY	
205	1F	*	A46-1276-11	REAR COVER	
206	1D	*	A52-0720-12	TOP PLATE	
PA1	3E	*	A64-1299-12	PANEL ASSY	
PA2	3C	*	A22-2233-12	SUB PANEL ASSY	
211	3C		B07-2124-02	ESCUTCHEON	
212	3E	*	B10-2852-11	FRONT GLASS	
-			B46-0100-50	WARRANTY CARD	(KDC-5060R) R
-			B46-0182-14	ID CARD	(KDC-5060R) R
-			B46-0606-04	ID CARD	(KDC-5060RY) RY
-		*	B64-1077-00	INST. MANUAL (ENG, FRE)	(R) R
-		*	B64-1078-00	INST. MANUAL (GER, DUT, ITA)	(R) R
-		*	B64-1079-00	INST. MANUAL (SPA, POR)	(R) R
-		*	B64-1080-00	INST. MANUAL (ENG, RUS, POL)	(RY) RY
-		*	B64-1081-00	INST. MANUAL (CZE, HUN, CRO)	(RY) RY
213	1C		D10-3031-04	LEVER	
214	3D	*	D10-4141-04	LEVER	
215	3D	*	D10-4142-14	LEVER	
216	3D	*	D10-4143-14	LEVER	
217	2C	*	D10-4144-13	LEVER	
218	3C	*	D10-4196-14	LEVER	
219	3C	*	D13-1352-04	GEAR	
220	3D	*	D21-2272-04	SHAFT	
221	3C	*	D21-2273-04	SHAFT	
222	2C	*	D39-0230-05	DAMPER	
223	2D		E29-1528-04	LEAD PLATE	
224	2F	*	E29-1542-02	CONDUCTIVE RUBBER	
△ DC1	1C	*	E30-4564-05	DC CORD	
FC1	2C		E39-0180-05	FLAT CABLE	
△ F1	2D		F52-0006-05	FUSE(MINI BLADE TYPE)(10A)	
227	3D	*	G01-2856-14	EXTENSION SPRING	
228	3F	*	G01-2881-14	COMPRESSION SPRING	
229	2C	*	G02-1257-04	FLAT SPRING	
230	3C	*	G02-1258-04	FLAT SPRING	
231	3D	*	G02-1259-04	FLAT SPRING	
232	3C	*	G11-1757-04	CUSHION	
-		*	H10-4576-02	POLYSTYRENE FOAMED FIXTURE	
-			H25-0329-04	PROTECTION BAG (280X450X0.03)	RY
-			H25-0337-04	PROTECTION BAG (180X300X0.03)	
-			H25-1111-04	PROTECTION BAG (280X450X0.03)	R
-		*	H54-0926-14	ITEM CARTON CASE (KDC-5060R)	R
-		*	H54-1112-14	ITEM CARTON CASE (KDC-5060RY)	RY
234	2C	*	J21-7817-04	MOUNTING HARDWARE ASSY	
237	1C		J21-7934-03	MOUNTING HARDWARE ASSY	
240	3F	*	K24-1813-04	KNOB (SRC)	
241	3F	*	K24-1814-04	KNOB (PROG)	
242	2E	*	K24-1815-03	KNOB (VOL.)	
243	3F	*	K24-1816-14	KNOB (RELEASE)	
244	3D	*	K24-1817-04	KNOB (EJECT)	
245	3E	*	K25-0855-03	KNOB (PRE1-6, ATT)	

Ref.No.	A d d	N e w	Parts No.	Description	Des inati on
246	3F	*	K25-0856-13	KNOB (FM, AM, UP, DOWN, RESET)	
247	3F	*	K25-0877-03	KNOB (TI, AUDIO)	
249	1C		N09-1885-05	SEMS (MACHINE SCREW)	
A	2C		N83-3005-46	PAN HEAD TAPTITE SCREW	
C	3C		N84-2606-45	PAN HEAD TAPTITE SCREW	
F	2C		N84-2606-46	PAN HEAD TAPTITE SCREW	
G	2C		N30-2003-46	PAN HEAD MACHINE SCREW	
H	1F		N80-2010-45	PAN HEAD TAPTITE SCREW	
J	3F		N80-2005-46	PAN HEAD TAPTITE SCREW	
K	2C	*	N19-2106-04	FLAT WASHER	
L	3D		N24-3020-46	E TYPE RETAINING RING	
253	1C		T90-0512-05	ANTENNA ADAPTOR	
ME1	2C		X92-3120-00	MECHANISM ASSY	
SWITCH UNIT (X13-9182-72)					
260	1E	*	B11-0944-04	OPTICAL DIFFUSER	
261	1E	*	B11-0945-04	REFLECTION SHEET	
262	1E	*	B19-1120-03	LIGHTING BOARD	
D1 -17		*	B30-1510-05	LED	
D18			B30-1489-05	LED	
LCD1	1E	*	B38-0691-05	LIQUID CRYSTAL	
PL1 ,2			B30-1485-05	LAMP (5.5V .125A)	
C1			CK73FB1H821K	CHIP C 820PF	K
C2 ,3			CK73FB1H473KTA	CHIP C 0.047UF	K
C4			CK73FB1H103K	CHIP C 0.010UF	K
C11			CK73FB1C104K	CHIP C 0.10UF	K
264	1E	*	E29-1543-04	CONDUCTIVE RUBBER	
CN1			E59-0829-05	RECTANGULAR PLUG	
CP1			R90-0724-05	MULTI-COMP 1K	X4
CP2 ,3			R90-0725-05	MULTI-COMP 1K	X2
R1 ,2			RK73FB2A102J	CHIP R 1.0K	J 1/10W
R3			RK73FB2A471J	CHIP R 470	J 1/10W
R4			RK73FB2A101J	CHIP R 100	J 1/10W
R5			RK73FB2A471J	CHIP R 470	J 1/10W
R6			RK73FB2A101J	CHIP R 100	J 1/10W
R7			RK73FB2A102J	CHIP R 1.0K	J 1/10W
R8			RK73FB2A683J	CHIP R 68K	J 1/10W
R9			RK73FB2A102J	CHIP R 1.0K	J 1/10W
R12			RK73FB2A473J	CHIP R 47K	J 1/10W
R13 -15			RK73EB2B331J	CHIP R 330	J 1/8W
R16			RK73EB2B471J	CHIP R 470	J 1/8W
R17			RK73EB2B331J	CHIP R 330	J 1/8W
R18			RK73EB2B471J	CHIP R 470	J 1/8W
R19			RK73EB2B301J	CHIP R 300	J 1/8W
R21 ,22			RK73EB2B130J	CHIP R 13	J 1/8W
R23 ,24			RK73EB2B101J	CHIP R 100	J 1/8W
R25 ,26			RK73FB2A273J	CHIP R 27K	J 1/10W
R50			RK73EB2B4R7J	CHIP R 4.7	J 1/8W
IC1			LC75883E	MOS-IC	
Q1			DTA114EK	DIGITAL TRANSISTOR	
Q1			UN2111	DIGITAL TRANSISTOR	
Q3 ,4			2SD2114K	TRANSISTOR	

[DESTINATION]

R: KDC-5060R RY: KDC-5060RY

△ indicates safety critical components.

PARTS LIST

* New Parts

Parts without Parts No. are not supplied.

Les articles non mentionnés dans le Parts No. ne sont pas fournis.

Teile ohne Parts No. werden nicht geliefert.

SWITCH UNIT (X13-9182-72)

Ref.No.	A d e w	Parts No.	Description	Dest inati on
ELECTRIC UNIT (X25-8012-72)				
D22		B30-1424-05	LED	
C1		C90-2822-05	ELECTRO 3900UF 16WV	
C2		CK73FB1H103K	CHIP C 0.010UF K	
C3		C90-2926-05	ELECTRO 220UF 16WV	
C4		CK73FB1H103K	CHIP C 0.010UF K	
C5		C90-2594-05	ELECTRO 10UF 10WV	
C6		CE04CWOJ101M	ELECTRO 100UF 6.3WV	
C7		CE04CW1A101M	ELECTRO 100UF 10WV	
C9		CK73FB1H103K	CHIP C 0.010UF K	
C10 , 11		CE04CW1A101M	ELECTRO 100UF 10WV	
C20		CK73FB1H103K	CHIP C 0.010UF K	
C23		C90-2598-05	ELECTRO 3.3UF 25WV	
C24		CK73FB1E683KTA	CHIP C 0.068UF K	
C25		C90-2602-05	ELECTRO 0.10UF 50WV	
C26 , 27		CK73FB1H103K	CHIP C 0.010UF K	
C40		CE04CWOJ101M	ELECTRO 100UF 6.3WV	
C41		CK73FB1H103K	CHIP C 0.010UF K	
C44 , 45		CC73FCH1H220J	CHIP C 22PF J	
C46		C90-2608-05	ELECTRO 1.0UF 50WV	
C48		CK73FB1H472K	CHIP C 4700PF K	
C49	*	CK73EB1A475K	CHIP C 4.7UF K	
C50 , 51		CK73FB1H103K	CHIP C 0.010UF K	
C52		C90-2595-05	ELECTRO 4.7UF 16WV	
C53 , 54		C90-2610-05	ELECTRO 2.2UF 50WV	
C55 , 56		C90-2608-05	ELECTRO 1.0UF 50WV	
C57		CE04CWOJ101M	ELECTRO 100UF 6.3WV	
C58		CK73FB1H153KTA	CHIP C 0.015UF K	
C59		CK73EB1C105K	CHIP C 1.0UF K	
C61		CK73FB1C823K	CHIP C 0.082UF K	
C62		CE04CW1A101M	ELECTRO 100UF 10WV	
C63		CK73FB1H103K	CHIP C 0.010UF K	
C64 , 65		C90-2594-05	ELECTRO 10UF 10WV	
C111, 112		C90-2597-05	ELECTRO 10UF 16WV	
C131-134		CK73FB1C124K	CHIP C 0.12UF K	
C139		CE04CW1A101M	ELECTRO 100UF 10WV	
C140		C90-2598-05	ELECTRO 3.3UF 25WV	
C141		C90-2608-05	ELECTRO 1.0UF 50WV	
C142		C90-2597-05	ELECTRO 10UF 16WV	
C143-150		CK73FB1H153KTA	CHIP C 0.015UF K	
C160		CK73EB1H104K	CHIP C 0.10UF K	
C162		CK73EB1H473K	CHIP C 0.047UF K	
C163		CK73FB1H103K	CHIP C 0.010UF K	
C171		CK73FB1H103K	CHIP C 0.010UF K	
C173		CK73FB1H103K	CHIP C 0.010UF K	
C174		CE04CW1A101M	ELECTRO 100UF 10WV	
C175		CK73FB1H103K	CHIP C 0.010UF K	
C176		CE04DW1A470M	ELECTRO 47UF 10WV	
C177		CK73FB1H103K	CHIP C 0.010UF K	
C178		CC73FCH1H121J	CHIP C 120PF J	
C179		CK73FB1E273KTA	CHIP C 0.027UF K	
C180		CK73FB1C104K	CHIP C 0.10UF K	
C190		CK73FB1H223KTA	CHIP C 0.022UF K	

Ref.No.	A d e w	Parts No.	Description	Dest inati on
C191		CC73FCH1H060D	CHIP C 6.0PF D	
C192		CK73FB1H102K	CHIP C 1000PF K	
C193		CK73FB1H222K	CHIP C 2200PF K	
C194		CC73FCH1H820J	CHIP C 82PF J	
C195		CE04DW1C100M	ELECTRO 10UF 16WV	
C196		CK73FB1H471K	CHIP C 470PF K	
C197		CK73FB1H822K	CHIP C 8200PF K	
C198		CC73FCH1H120J	CHIP C 12PF J	
C199		CC73FCH1H121J	CHIP C 120PF J	
C200		CK73FB1H122K	CHIP C 1200PF K	
C201		CK73FB1H471K	CHIP C 470PF K	
C202		CK73FB1H122K	CHIP C 1200PF K	
C210		C90-2592-05	ELECTRO 10UF 6.3WV	
C211		CK73FB1H103K	CHIP C 0.010UF K	
C212		CC73FCH1H271J	CHIP C 270PF J	
C213		C90-2592-05	ELECTRO 10UF 6.3WV	
C214, 215		CC73FCH1H100D	CHIP C 10PF D	
CN1		E40-9550-05	FLAT CABLE CONNECTOR	
CN2		E40-9595-05	PIN ASSY	
J1		E58-0836-05	RECTANGULAR RECEPTACLE	
J2		E63-0842-05	PHONO JACK	
J3		E56-0809-05	CYLINDRICAL RECEPTACLE	
WH1	1D	E30-4568-05	CORD WITH PLUG	
L1		L40-4791-17	SMALL FIXED INDUCTOR(4.7UH, K)	
L3		L33-1039-05	LINE FILTER COIL	
L4 -9		L40-4791-17	SMALL FIXED INDUCTOR(4.7UH, K)	
L10		L40-4795-34	SMALL FIXED INDUCTOR(4.7UH, K)	
X1		L78-0574-05	RESONATOR	
X2		L78-0533-05	RESONATOR (32.768KHZ)	
X3		L77-2002-05	CRYSTAL RESONATOR	
A	1D	N83-3005-46	PAN HEAD TAPTITE SCREW	
B	1D	N80-3008-46	PAN HEAD TAPTITE SCREW	
D	1D	N83-3020-46	PAN HEAD TAPTITE SCREW	
E	1D	N86-2606-46	BINDING HEAD TAPTITE SCREW	
M	1D	N64-3010-46	PAN HEAD SEMS SCREW	
CP1		R90-1013-05	MULTIPLE RESISTOR	
CP2 , 3		R90-0725-05	MULTI-COMP 1K X2	
CP4		R90-0722-05	MULTI-COMP 2.2K X4	
CP5		R90-0725-05	MULTI-COMP 1K X2	
CP7		R90-1022-05	MULTIPLE RESISTOR	
R1		RK73FB2A223J	CHIP R 22K J 1/10W	
R2		RK73FB2A101J	CHIP R 100 J 1/10W	
R5		R92-2104-05	CHIP R 2.2 J 1W	
R6		RK73FB2A103J	CHIP R 10K J 1/10W	
R7		RK73FB2A222J	CHIP R 2.2K J 1/10W	
R8		RK73FB2A101J	CHIP R 100 J 1/10W	
R9		RK73FB2A152J	CHIP R 1.5K J 1/10W	
R10		RK73FB2A102J	CHIP R 1.0K J 1/10W	
R24		RK73EB2B103J	CHIP R 10K J 1/8W	
R25		RK73FB2A223J	CHIP R 22K J 1/10W	
R26		RK73FB2A473J	CHIP R 47K J 1/10W	
R27		RK73FB2A102J	CHIP R 1.0K J 1/10W	
R32		RK73EB2B472J	CHIP R 4.7K J 1/8W	

[DESTINATION]

R: KDC-5060R RY: KDC-5060RY

⚠ indicates safety critical components.

PARTS LIST

* New Parts

Parts without Parts No. are not supplied.

Les articles non mentionnés dans le Parts No. ne sont pas fournis.

Teile ohne Parts No. werden nicht geliefert.

ELECTRIC UNIT (X25-8012-72)

Ref.No.	A d d	N e w	Parts No.	Description	Dest inati on
R33			RD14DB2H102J	SMALL-RD 1.0K J 1/2W	
R34			RK73FB2A223J	CHIP R 22K J 1/10W	
R35			RD14DB2H102J	SMALL-RD 1.0K J 1/2W	
R36			RK73FB2A123J	CHIP R 12K J 1/10W	
R37			RK73FB2A153J	CHIP R 15K J 1/10W	
R38			RK73FB2A512J	CHIP R 5.1K J 1/10W	
R39			RK73FB2A104J	CHIP R 100K J 1/10W	
R40			RD14DB2H332J	SMALL-RD 3.3K J 1/2W	
R42			RK73FB2A104J	CHIP R 100K J 1/10W	
R43			RK73FB2A562J	CHIP R 5.6K J 1/10W	
R44			RK73FB2A473J	CHIP R 47K J 1/10W	
R45			RK73FB2A562J	CHIP R 5.6K J 1/10W	
R50			RK73FB2A470J	CHIP R 47 J 1/10W	
R52			RK73FB2A684J	CHIP R 680K J 1/10W	
R53			RK73FB2A473J	CHIP R 47K J 1/10W	
R56			RK73FB2A101J	CHIP R 100 J 1/10W	
R57			RK73FB2A102J	CHIP R 1.0K J 1/10W	
R60			RK73FB2A104J	CHIP R 100K J 1/10W	
R63			RK73FB2A222J	CHIP R 2.2K J 1/10W	
R65			RK73FB2A223J	CHIP R 22K J 1/10W	
R66			RK73FB2A164J	CHIP R 160K J 1/10W	
R67			RK73FB2A394J	CHIP R 390K J 1/10W	
R68			RK73FB2A101J	CHIP R 100 J 1/10W	
R69			RK73FB2A102J	CHIP R 1.0K J 1/10W	
R72			RK73FB2A101J	CHIP R 100 J 1/10W	
R73 , 74			RK73FB2A470J	CHIP R 47 J 1/10W	
R75			RK73FB2A101J	CHIP R 100 J 1/10W	
R76			RK73FB2A104J	CHIP R 100K J 1/10W	
R78			RK73FB2A102J	CHIP R 1.0K J 1/10W	
R80			RK73FB2A154J	CHIP R 150K J 1/10W	
R85 , 86			RK73FB2A222J	CHIP R 2.2K J 1/10W	
R89			RK73FB2A222J	CHIP R 2.2K J 1/10W	
R91			RK73EB2B241J	CHIP R 240 J 1/8W	
R97 , 98			RK73FB2A222J	CHIP R 2.2K J 1/10W	
R101-103			RK73FB2A473J	CHIP R 47K J 1/10W	
R106			RK73FB2A223J	CHIP R 22K J 1/10W	
R107			RK73FB2A222J	CHIP R 2.2K J 1/10W	
R108			RK73FB2A225J	CHIP R 2.2M J 1/10W	
R109			RK73FB2A102J	CHIP R 1.0K J 1/10W	
R110			RK73FB2A562J	CHIP R 5.6K J 1/10W	
R111			RK73FB2A102J	CHIP R 1.0K J 1/10W	
R112			RK73FB2A562J	CHIP R 5.6K J 1/10W	
R113			RK73FB2A222J	CHIP R 2.2K J 1/10W	
R114, 115			RK73FB2A473J	CHIP R 47K J 1/10W	
R116, 117			RK73FB2A104J	CHIP R 100K J 1/10W	
R118			RK73FB2A473J	CHIP R 47K J 1/10W	
R120			RK73FB2A473J	CHIP R 47K J 1/10W	
R122			RK73FB2A222J	CHIP R 2.2K J 1/10W	
R125			RK73FB2A101J	CHIP R 100 J 1/10W	
R126			RK73FB2A332J	CHIP R 3.3K J 1/10W	
R159, 160			RK73FB2A361J	CHIP R 360 J 1/10W	
R163, 164			RK73FB2A472J	CHIP R 4.7K J 1/10W	
R167, 168			RK73FB2A223J	CHIP R 22K J 1/10W	
R187, 188			RK73EB2B181J	CHIP R 180 J 1/8W	
R191-194			RK73FB2A472J	CHIP R 4.7K J 1/10W	

Ref.No.	A d d	N e w	Parts No.	Description	Dest inati on
R195			RK73FB2A101J	CHIP R 100 J 1/10W	
R196			RK73FB2A751J	CHIP R 750 J 1/10W	
R197			RK73FB2A431J	CHIP R 430 J 1/10W	
R198			RK73FB2A152J	CHIP R 1.5K J 1/10W	
R199			RK73FB2A101J	CHIP R 100 J 1/10W	
R207			RK73FB2A103J	CHIP R 10K J 1/10W	
R210-212			RK73FB2A104J	CHIP R 100K J 1/10W	
R213-215			RK73FB2A222J	CHIP R 2.2K J 1/10W	
R216			RK73FB2A473J	CHIP R 47K J 1/10W	
R217			RK73FB2A103J	CHIP R 10K J 1/10W	
R227			RK73EB2B470J	CHIP R 47 J 1/8W	
R228, 229			RK73EB2B102J	CHIP R 1.0K J 1/8W	
R230			RK73EB2B477J	CHIP R 4.7 J 1/8W	
R231			RK73EB2B472J	CHIP R 4.7K J 1/8W	
R232			RK73EB2B100J	CHIP R 10 J 1/8W	
R233, 234			RK73EB2B102J	CHIP R 1.0K J 1/8W	
R235			RK73EB2B470J	CHIP R 47 J 1/8W	
R236			RK73EB2B100J	CHIP R 10 J 1/8W	
R237			RK73EB2B470J	CHIP R 47 J 1/8W	
R238-241			RK73FB2A104J	CHIP R 100K J 1/10W	
R250			RK73FB2A223J	CHIP R 22K J 1/10W	
R251			RK73EB2B102J	CHIP R 1.0K J 1/8W	
R252			RK73FB2A223J	CHIP R 22K J 1/10W	
R253			RK73EB2B102J	CHIP R 1.0K J 1/8W	
R254			RK73FB2A102J	CHIP R 1.0K J 1/10W	
R256			RK73FB2A472J	CHIP R 4.7K J 1/10W	
R257			RK73FB2A272J	CHIP R 2.7K J 1/10W	
R258			RK73FB2A472J	CHIP R 4.7K J 1/10W	
R270			RK73FB2A823J	CHIP R 82K J 1/10W	
R271			RK73FB2A103J	CHIP R 10K J 1/10W	
R272			RK73FB2A104J	CHIP R 100K J 1/10W	
R273, 274			RK73FB2A103J	CHIP R 10K J 1/10W	
R275			RK73FB2A153J	CHIP R 15K J 1/10W	
R276, 277			RK73FB2A103J	CHIP R 10K J 1/10W	
R278			RK73FB2A562J	CHIP R 5.6K J 1/10W	
R280			RK73FB2A563J	CHIP R 56K J 1/10W	
R281			RK73FB2A272J	CHIP R 2.7K J 1/10W	
R282, 283			RK73FB2A103J	CHIP R 10K J 1/10W	
R284			RK73FB2A562J	CHIP R 5.6K J 1/10W	
R286			RK73FB2A222J	CHIP R 2.2K J 1/10W	
R290-292			RK73FB2A222J	CHIP R 2.2K J 1/10W	
W2 -5			R92-2052-05	CHIP R 0 J 1/10W	
W8 , 9			R92-2052-05	CHIP R 0 J 1/10W	
W14 , 15			R92-2052-05	CHIP R 0 J 1/10W	
S1			S74-0808-05	MICRO SWITCH	
D1			RM10ZLF	DIODE	
D2			AM01Z	DIODE	
D2			ERA15-01	DIODE	
D3			MA4056(N)-M	ZENER DIODE	
D4			MA4082(N)-L	ZENER DIODE	
D5			MA4110-L	ZENER DIODE	
D8			HZM4.7N82	ZENER DIODE	
D8			MA3047-M	ZENER DIODE	
D10			AM01Z	DIODE	

[DESTINATION]

R: KDC-5060R RY: KDC-5060RY

▲ indicates safety critical components.

PARTS LIST

* New Parts
 Parts without Parts No. are not supplied.
 Les articles non mentionnes dans le Parts No. ne sont pas fournis.
 Teile ohne Parts No. werden nicht geliefert.

ELECTRIC UNIT (X25-8012-72)

Ref.No.	A d w	N e w	Parts No.	Description	Dest inati on
D10			ERA15-01	DIODE	
D11			1SS133	DIODE	
D12 , 13			MA4056(N)-M	ZENER DIODE	
D14			MA4068(N)-M	ZENER DIODE	
D15			DAN202K	DIODE	
D15			MA152WK	DIODE	
D16			DA204K	DIODE	
D17			D1F60	DIODE	
D30 -32			RD6.8MW	ZENER DIODE	
D34 , 35			DA204K	DIODE	
D36			MA3062WA	ZENER DIODE	
D37			DAN202K	DIODE	
D37			MA152WK	DIODE	
D50 , 51		*	D1CA60R	DIODE	
D52 , 53			DAP202K	DIODE	
D52 , 53			MA152WA	DIODE	
D54			DA204K	DIODE	
D56 -59			DAN202K	DIODE	
D56 -59			MA152WK	DIODE	
D60			DA204K	DIODE	
D61 -64			DAP202K	DIODE	
D61 -64			MA152WA	DIODE	
D65			DSP-301N-A21F	SURGE ABSORBER	
D66 -69			MA3062WA	ZENER DIODE	
D70			DAN202K	DIODE	
D70			MA152WK	DIODE	
IC1			UPD784214GF507	MI-COM IC	
IC2			TDA7461D	ANALOGUE IC	
IC3			BR24C01AF	MEMORY IC	
IC4			TDA7386	ANALOGUE IC	
IC7			PST9130NR	ANALOGUE IC	
IC8			TC74HC02AF	IC	
IC13			NJM4565M-TE2	ANALOGUE IC	
IC14			TDA7479D	ANALOGUE IC	
Q1			2SC2412K	TRANSISTOR	
Q1			2SD601A	TRANSISTOR	
Q2			2SB1565F(E, F)	TRANSISTOR	
Q3			DTC144EK	DIGITAL TRANSISTOR	
Q3			UN2213	DIGITAL TRANSISTOR	
Q4			DTA124EK	DIGITAL TRANSISTOR	
Q4			UN2112	DIGITAL TRANSISTOR	
Q5			2SB1184	TRANSISTOR	
Q6			2SD2396F40	TRANSISTOR	
Q7			DTC144EK	DIGITAL TRANSISTOR	
Q7			UN2213	DIGITAL TRANSISTOR	
Q8			DTA124EK	DIGITAL TRANSISTOR	
Q8			UN2112	DIGITAL TRANSISTOR	
Q9			2SC2412K	TRANSISTOR	
Q9			2SD601A	TRANSISTOR	
Q10			2SB1184	TRANSISTOR	
Q19			2SA1036K	TRANSISTOR	
Q23			2SB1277(Q, R)	TRANSISTOR	
Q24			2SA1037K	TRANSISTOR	
Q24			2SB709A	TRANSISTOR	
Q25			DTA124EK	DIGITAL TRANSISTOR	

Ref.No.	A d w	N e w	Parts No.	Description	Dest inati on
Q25			UN2112	DIGITAL TRANSISTOR	
Q26			DTC114YK	DIGITAL TRANSISTOR	
Q26			UN2214	DIGITAL TRANSISTOR	
Q27 -29			2SC2412K	TRANSISTOR	
Q27 -29			2SD601A	TRANSISTOR	
Q31 , 32			2SC2412K	TRANSISTOR	
Q31 , 32			2SD601A	TRANSISTOR	
Q40			DTA124EK	DIGITAL TRANSISTOR	
Q40			UN2112	DIGITAL TRANSISTOR	
Q41			DTC144EK	DIGITAL TRANSISTOR	
Q41			UN2213	DIGITAL TRANSISTOR	
Q53 , 54			2SC2412K	TRANSISTOR	
Q53 , 54			2SD601A	TRANSISTOR	
Q57			DTC144EK	DIGITAL TRANSISTOR	
Q57			UN2213	DIGITAL TRANSISTOR	
Q60			2SA1037K	TRANSISTOR	
Q60			2SB709A	TRANSISTOR	
Q61			DTA124EK	DIGITAL TRANSISTOR	
Q61			UN2112	DIGITAL TRANSISTOR	
Q70			DTC124EK	DIGITAL TRANSISTOR	
Q70			UN2212	DIGITAL TRANSISTOR	
Q71			2SB1277(Q, R)	TRANSISTOR	
Q72			DTC124EK	DIGITAL TRANSISTOR	
Q72			UN2212	DIGITAL TRANSISTOR	
Q73			2SB1277(Q, R)	TRANSISTOR	
Q74			DTC124EK	DIGITAL TRANSISTOR	
Q74			UN2212	DIGITAL TRANSISTOR	
Q80			2SC2412K	TRANSISTOR	
Q80			2SD601A	TRANSISTOR	
Q81			DTC114TK	DIGITAL TRANSISTOR	
Q81			UN2215	DIGITAL TRANSISTOR	
Q82			DTA124EK	DIGITAL TRANSISTOR	
Q82			UN2112	DIGITAL TRANSISTOR	
TH1			PT722A80C	POSITIVE RESISTOR	
A1	2D	*	W02-3120-05	FM/AM FRONT-END	

CD PLAYER UNIT (X32-4280-00)

C1 , 2			CK73EB1C105K	CHIP C	1.0UF	K
C3 , 4			C92-0509-05	CHIP-TAN	10UF	6.3WV
C5			CC73FCH1H220J	CHIP C	22PF	J
C6			CC73FCH1H020C	CHIP C	2.0PF	C
C7			CK73FB1C104K	CHIP C	0.10UF	K
C8			CK73EB1C105K	CHIP C	1.0UF	K
C9			CC73FCH1H101J	CHIP C	100PF	J
C10 , 11			CK73FB1H682K	CHIP C	6800PF	K
C12			CK73FB1H222K	CHIP C	2200PF	K
C13			CK73FB1E273KTA	CHIP C	0.027UF	K
C14			CK73FB1H472K	CHIP C	4700PF	K
C15			CK73FB1E473KTA	CHIP C	0.047UF	K
C16			CC73FCH1H101J	CHIP C	100PF	J
C17			CK73FB1H222K	CHIP C	2200PF	K
C18			CC73FCH1H391J	CHIP C	390PF	J
C19 , 20			CK73FB1C104K	CHIP C	0.10UF	K
C21			C92-0509-05	CHIP-TAN	10UF	6.3WV
C22			CK73FB1C104K	CHIP C	0.10UF	K

[DESTINATION]
 R: KDC-5060R RY: KDC-5060RY

⚠ indicates safety critical components.

KDC-5060R/RV

PARTS LIST

* New Parts

Parts without Parts No. are not supplied.

Les articles non mentionnes dans le Parts No. ne sont pas fournis.

Teile ohne Parts No. werden nicht geliefert.

CD PLAYER UNIT (X32-4280-00)

Ref.No.	A d d	N e w	Parts No.	Description	Dest inati on
C23			CK73FB1H102K	CHIP C 1000PF K	
C24			CK73FB1H223KTA	CHIP C 0.022UF K	
C25			CK73FB1H123K	CHIP C 0.012UF K	
C26			CK73FB1C104K	CHIP C 0.10UF K	
C27			CC73FCH1H101J	CHIP C 100PF J	
C28			CK73EB1C105K	CHIP C 1.0UF K	
C31			CK73EB1C105K	CHIP C 1.0UF K	
C41			C92-1335-05	ELECTRO 4.7UF 16WV	
C42			CK73EB1H104K	CHIP C 0.10UF K	
C43			CK73FB1H123K	CHIP C 0.012UF K	
C44			CK73FB1C104K	CHIP C 0.10UF K	
C45			CK73FB1H223KTA	CHIP C 0.022UF K	
C51			CK73EB1C105K	CHIP C 1.0UF K	
C53			C92-0509-05	CHIP-TAN 10UF 6.3WV	
C54			CK73FB1C104K	CHIP C 0.10UF K	
C55 , 56			CK73EB1C105K	CHIP C 1.0UF K	
C57 , 58			CK73FB1C224K	CHIP C 0.22UF K	
C61 , 62			CC73FCH1H471J	CHIP C 470PF J	
C63 , 64			CC73FCH1H680J	CHIP C 68PF J	
C65 , 66			CK73FB1H222K	CHIP C 2200PF K	
C101			CC73ECH1H221J	CHIP C 220PF J	
C101			CK73EB1H221K	CHIP C 220PF K	
C102			CK73FB1C104K	CHIP C 0.10UF K	
CN1			E40-9536-05	FLAT CABLE CONNECTOR	
CN2			E40-9339-05	FLAT CABLE CONNECTOR	
L1			L40-1001-31	SMALL FIXED INDUCTOR(10UH)	
X1			L78-0620-05	RESONATOR	
X2			L78-0528-05	RESONATOR	
R1			RK73FB2A243J	CHIP R 24K J 1/10W	
R2			RK73FB2A183J	CHIP R 18K J 1/10W	
R3			RK73FB2A154J	CHIP R 150K J 1/10W	
R4			RK73FB2A155J	CHIP R 1.5M J 1/10W	
R5			RK73FB2A910J	CHIP R 91 J 1/10W	
R6			RK73FB2A154J	CHIP R 150K J 1/10W	
R7			RK73FB2A155J	CHIP R 1.5M J 1/10W	
R8			RK73EB2B4R7J	CHIP R 4.7 J 1/8W	
R9			RK73EB2B100J	CHIP R 10 J 1/8W	
R10 , 11			RK73FB2A912J	CHIP R 9.1K J 1/10W	
R12			RK73FB2A562J	CHIP R 5.6K J 1/10W	
R13			RK73FB2A683J	CHIP R 68K J 1/10W	
R14 , 15			RK73FB2A824J	CHIP R 820K J 1/10W	
R16			RK73FB2A223J	CHIP R 22K J 1/10W	
R17			RK73FB2A393J	CHIP R 39K J 1/10W	
R18			RK73FB2A392J	CHIP R 3.9K J 1/10W	
R19			RK73FB2A333J	CHIP R 33K J 1/10W	
R20			RK73FB2A104J	CHIP R 100K J 1/10W	
R21			RK73FB2A224J	CHIP R 220K J 1/10W	
R31			RK73FB2A102J	CHIP R 1.0K J 1/10W	
R32			RK73FB2A104J	CHIP R 100K J 1/10W	
R33			RK73FB2A155J	CHIP R 1.5M J 1/10W	
R34			RK73FB2A333J	CHIP R 33K J 1/10W	
R35			RK73FB2A104J	CHIP R 100K J 1/10W	
R36			RK73FB2A111J	CHIP R 110 J 1/10W	

Ref.No.	A d d	N e w	Parts No.	Description	Dest inati on
R37			RK73FB2A471J	CHIP R 470 J 1/10W	
R38			RK73FB2A224J	CHIP R 220K J 1/10W	
R39			RK73FB2A102J	CHIP R 1.0K J 1/10W	
R41			RK73FB2A101J	CHIP R 100 J 1/10W	
R42			RK73FB2A104J	CHIP R 100K J 1/10W	
R43			RK73FB2A101J	CHIP R 100 J 1/10W	
R44			RK73FB2A102J	CHIP R 1.0K J 1/10W	
R45			RK73FB2A103J	CHIP R 10K J 1/10W	
R46			RK73FB2A102J	CHIP R 1.0K J 1/10W	
R47			RK73FB2A103J	CHIP R 10K J 1/10W	
R48 -50			RK73FB2A472J	CHIP R 4.7K J 1/10W	
R51			RK73FB2A101J	CHIP R 100 J 1/10W	
R52			RK73FB2A104J	CHIP R 100K J 1/10W	
R53			RK73FB2A101J	CHIP R 100 J 1/10W	
R54			RK73FB2A104J	CHIP R 100K J 1/10W	
R55			RK73FB2A101J	CHIP R 100 J 1/10W	
R56			RK73FB2A104J	CHIP R 100K J 1/10W	
R57			RK73FB2A472J	CHIP R 4.7K J 1/10W	
R58 -61			RK73FB2A101J	CHIP R 100 J 1/10W	
R63 , 64			RK73FB2A101J	CHIP R 100 J 1/10W	
R65 , 66			RK73FB2A472J	CHIP R 4.7K J 1/10W	
R67			RK73FB2A101J	CHIP R 100 J 1/10W	
R68			RK73FB2A104J	CHIP R 100K J 1/10W	
R69			RK73FB2A101J	CHIP R 100 J 1/10W	
R71			RK73FB2A752J	CHIP R 7.5K J 1/10W	
R72			RK73FB2A102J	CHIP R 1.0K J 1/10W	
R73			RK73FB2A333J	CHIP R 33K J 1/10W	
R74			RK73FB2A822J	CHIP R 8.2K J 1/10W	
R75			RK73FB2A273J	CHIP R 27K J 1/10W	
R76			RK73FB2A512J	CHIP R 5.1K J 1/10W	
R77			RK73FB2A393J	CHIP R 39K J 1/10W	
R78			RK73FB2A153J	CHIP R 15K J 1/10W	
R79			RK73FB2A202J	CHIP R 2.0K J 1/10W	
R80			RK73FB2A162J	CHIP R 1.6K J 1/10W	
R81			RK73FB2A273J	CHIP R 27K J 1/10W	
R82			RK73FB2A562J	CHIP R 5.6K J 1/10W	
R83			RK73FB2A561J	CHIP R 560 J 1/10W	
R91 , 92			RK73FB2A332J	CHIP R 3.3K J 1/10W	
R93 , 94			RK73FB2A562J	CHIP R 5.6K J 1/10W	
R95 , 96			RK73FB2A203J	CHIP R 20K J 1/10W	
R101-106			RK73FB2A203J	CHIP R 20K J 1/10W	
R107, 108			RK73FB2A681J	CHIP R 680 J 1/10W	
R201, 202			RK73FB2A392J	CHIP R 3.9K J 1/10W	
R203, 204			RK73FB2A204J	CHIP R 200K J 1/10W	
R205			RK73FB2A472J	CHIP R 4.7K J 1/10W	
W1			R92-2052-05	CHIP R 0 J 1/10W	
W11 -13			R92-2053-05	CHIP R 0 J 1/8W	
S1 , 2			S68-0822-05	PUSH SWITCH	
S3			S68-0823-05	PUSH SWITCH	
D1 , 2			DAN202K	DIODE	
D11			DAN202K	DIODE	
IC1			AN8806SB	ANALOGUE IC	
IC2			MN662747RPH	MOS-IC	
IC3			M37471M8-371FP	MI-COM IC	

[DESTINATION]

R: KDC-5060R RY: KDC-5060RY

⚠ indicates safety critical components.

PARTS LIST

* New Parts

Parts without Parts No. are not supplied.

Les articles non mentionnes dans le Parts No. ne sont pas fournis.

Teile ohne Parts No. werden nicht geliefert.

CD PLAYER UNIT (X32-4280-00)

Ref.No.	A d d w	N e w	Parts No.	Description	Dest inati on
IC4			BA6790FP	ANALOGUE IC	
IC5			TA78L05F	IC(VOLTAGE REGULATOR/ +5V)	
IC6			NJM4565MD	IC(OP AMP X2)	
Q1			2SA1362(Y)	TRANSISTOR	
Q2			DTC124EK	DIGITAL TRANSISTOR	
Q3 ,4			2SA1362(Y)	TRANSISTOR	
Q5			DTC124EK	DIGITAL TRANSISTOR	
Q6			2SA1037K	TRANSISTOR	
Q12			DTC124EK	DIGITAL TRANSISTOR	

DAUGHTER UNIT (X89-2280-10)

CN1		*	E40-9596-05	SOCKET FOR PIN ASSY	
J1		*	E58-0865-05	RECTANGULAR RECEPTACLE	
R1			RK73EB2B102J	CHIP R 1.0K J 1/8W	
R2			RK73EB2B241J	CHIP R 240 J 1/8W	
R3			RK73EB2B102J	CHIP R 1.0K J 1/8W	
R4			RK73EB2B222J	CHIP R 2.2K J 1/8W	
R5 -8			RK73EB2B102J	CHIP R 1.0K J 1/8W	
R9			RK73EB2B471J	CHIP R 470 J 1/8W	
R10			RK73EB2B102J	CHIP R 1.0K J 1/8W	
S1			S70-0841-05	TACT SWITCH	

MECHANISM ASSY (X92-3120-00)

1	2A		A10-4224-41	CHASSIS	
2	1B		A10-4225-33	CHASSIS CALKING ASSY	
3	2B		A11-0915-23	SUB CHASSIS CALKING ASSY	
6	2A		D10-3083-34	ARM ASSY	
7	2A		D10-3084-34	ARM ASSY	
8	3A		D10-3087-44	ARM ASSY	
9	3B		D10-3092-03	SLIDER	
10	3B		D10-3093-04	SLIDER ASSY	
11	2B		D10-3095-04	SLIDER ASSY	
12	2B		D10-3096-04	SLIDER ASSY	
13	1A		D10-3099-24	SLIDER ASSY	
14	1A		D10-3100-04	SLIDER ASSY	
16	1B		D10-4004-04	LEVER ASSY	
17	1B		D10-4006-04	LEVER	
18	1A		D10-4007-04	LEVER	
19	2B		D10-4008-04	LEVER	
20	2A		D10-4009-23	ARM	
21	3A		D10-4010-04	LEVER	
22	3A		D10-4011-34	LEVER ASSY	
23	3A		D10-4013-14	ARM ASSY	
24	3B		D10-4050-04	ARM	
26	2A		D10-4123-14	LEVER ASSY	
27	3B		D13-1340-13	RACK (GEAR)	
29	3B		D13-1231-04	GEAR	
30	3A		D13-1232-04	GEAR	
31	3B		D13-1233-04	GEAR	
32	3B		D13-1234-14	GEAR ASSY	
33	3A		D13-1238-03	GEAR	
34	3B		D13-1240-04	GEAR	
35	3B		D13-1241-04	GEAR	
36	3B		D13-1242-04	GEAR	
37	1B		D13-1243-04	GEAR	

Ref.No.	A d d w	N e w	Parts No.	Description	Dest inati on
38	1B		D13-1244-04	GEAR	
39	1B		D13-1245-14	GEAR	
40	2A		D13-1246-04	GEAR	
41	2B		D13-1247-04	GEAR	
43	2B		D13-1249-04	GEAR ASSY	
44	2B		D13-1341-04	GEAR ASSY	
45	1B		D14-0668-04	ROLLER	
46	2A		D14-0670-04	ROLLER	
47	3B		D14-0674-04	ROLLER	
49	3A		D21-2228-04	SHAFT	
50	1A		D21-2229-04	SHAFT	
51	1A		D23-0925-24	RETAINER	
52	2A		D32-0614-04	STOPPER	
53	1B		D39-0223-05	DAMPER	
54	2B		D39-0224-05	DAMPER	
AR1	2A		D10-4038-23	ARM ASSY	
55	3B		F09-1246-04	SHEET	
58	3B		F09-1266-14	SHEET	
60	2A		G01-2770-04	EXTENSION SPRING	
61	3A		G01-2771-04	EXTENSION SPRING	
62	3A		G01-2772-24	EXTENSION SPRING	
63	3A		G01-2773-14	EXTENSION SPRING	
64	3A		G01-2774-34	EXTENSION SPRING	
65	1B		G01-2775-04	TORSION COIL SPRING	
66	1B		G01-2776-14	TORSION COIL SPRING	
67	3B		G01-2777-14	TORSION COIL SPRING	
69	2A		G01-2844-04	EXTENSION SPRING	
70	2A		G02-1231-04	FLAT SPRING	
71	2B		G02-1232-14	FLAT SPRING	
72	2A		G02-1241-24	FLAT SPRING	
74	3A		G02-1250-04	FLAT SPRING	
75	2A		J11-0613-13	CLAMPER	
76	3A		J19-4678-13	HOLDER	
77	2B		J19-4679-24	HOLDER	
78	3B		J21-7684-03	MOUNTING HARDWARE	
79	2B		J21-7686-03	MOUNTING HARDWARE	
80	1B		J21-7690-03	MOUNTING HARDWARE	
81	3A		J31-1032-04	COLLAR	
82	3A		J84-0060-05	FLEXIBLE PRINTED WIRING BOARD	
83	1A		J90-0757-22	GUIDE	
A	2A		N09-4249-05	MACHINE SCREW (M1.7X2.5, LOCK)	
B	1B		N09-4172-05	TAPPING SCREW (2X3.5, C91F)	
C	2B		N09-4202-05	STEPPED SCREW	
D	2A		N38-2020-46	PAN HEAD MACHIN SCREW	
E	3A		N82-2006-45	BINDING HEAD TAPTITE SCREW	
F	3B		N19-2023-04	FLAT WASHER	
G	2A		N19-2058-04	FLAT WASHER	
H	2B		N19-2093-04	FLAT WASHER	
M1	3B		T42-0764-04	MOTOR ASSY	
M2	3B		T42-0763-04	MOTOR ASSY	
PU1	2B		T25-0209-05	OPTICAL PICKUP HEAD	

[DESTINATION]

R: KDC-5060R RY: KDC-5060RY

▲ indicates safety critical components.

SPECIFICATIONS

FM

Frequency Range 87.5 ~ 108.0MHz
Frequency Step 50kHz
Usable Sensitivity (S/N : 26dB) 0.7 μ V/75 Ω
Quieting Sensitivity (S/N : 46dB) 1.6 μ V/75 Ω
Frequency Response (\pm 3.0dB) 30Hz ~ 15kHz
S/N 65dB (MONO)
Selectivity (DIN) \geq 80dB (\pm 400kHz)
Stereo Separation 35dB (1kHz)

MW

Frequency Range 531 ~ 1611kHz
Frequency Step 9kHz
Usable Sensitivity 25 μ V

LW

Frequency Range 153 ~ 281kHz
Usable Sensitivity 45 μ V

CD

Laser Diode GaAlAs (λ =780nm)
Digital Filter (D/A) 8 Times Over Sampling
D/A Converter 1Bit
Spindle Speed 500 ~ 200 (CLV)
Wow & Flutter Below Measurable Limit
Frequency Response 10 ~ 20kHz (\pm 1dB)
Total Harmonic Distortion 0.01%(1kHz)
S/N Ratio 93dB(1kHz)
Dynamic Range 93dB
Channel Separation 85dB

AUDIO

Preout Level / Load 1800mV/10k Ω
Preout Impedance \leq 600 Ω
Max Power 40W x 4
PWR (DIN45324, +B=14.4V) 27W x 4
Tone Action
Bass 100Hz \pm 10dB
Treble 10kHz \pm 10dB

GENERAL

Operating Voltage (11 ~ 16V allowable) 14.4V
Current Consumption 10.0 at rated power
Installation Size (W x H x D) 182 x 53 x 160mm
Weight 1500g

KENWOOD follows a policy of continuous advancements in development. For this reason specifications may be changed without notice.

KENWOOD CORPORATION

14-6, Dogenzaka 1-chome, Shibuya-ku, Tokyo, 150 Japan

KENWOOD SERVICE CORPORATION

P.O. Box 22745, 2201 East Dominguez Street,
Long Beach, CA90801-5745, U.S.A.

KENWOOD ELECTRONICS CANADA INC.

6070 Kestrel Road, Mississauga, Ontario, Canada L5T 1S8

KENWOOD ELECTRONICS LATIN AMERICA S.A.

P.O. Box 55-2791, Piso 6, Plaza Chase, Cl. 47 y,
Aquilino de la Guardia, Panama, Republic of Panama

KENWOOD ELECTRONICS BRASIL LTDA.

Avenida Indianópolis, 628, 04062-001 Planalto Paulista,
São Paulo-SP-Brasil

KENWOOD ELECTRONICS UK LIMITED

Kenwood House, Dwight Road, Watford, Herts,
WD1 8EB, United Kingdom

KENWOOD ELECTRONICS DEUTSCHLAND GMBH

Rembrücker-Str. 15, 63150 Heusenstamm, Germany

KENWOOD ELECTRONICS FRANCE S.A.

13, Boulevard Ney, 75018 Paris, France

KENWOOD ELECTRONICS BELGIUM N.V.

Mechelsesteenweg 418, B-1930 Zaventem, Belgium

KENWOOD ELECTRONICS ITALIA S.p.A.

Via G. Sirtori 7/9, 20129 Milano, Italy

KENWOOD IBÉRICA S.A.

Bolivia, 239-08020 Barcelona, Spain

KENWOOD ELECTRONICS AUSTRALIA PTY. LTD.

(A.C.N. 001 499 074)

8 Figtree Drive, Australia Centre, Homebush, N.S.W. 2140, Australia

KENWOOD & LEE ELECTRONICS LTD.

Unit 3712-3724, Level 37, Tower 1, Metroplaza,
223 Hing Fong Road, Kwai Fong, N.T., Hong Kong

KENWOOD ELECTRONICS GULF FZE

P.O. Box 61318, Jebel Ali, Dubai, U.A.E.

KENWOOD ELECTRONICS (THAILAND) CO., LTD.

573/111 Soi Ramkhamhaeng 39, Ramkhamhaeng Road,
Wangthonglang, Bangkok, Bangkok, 10310 Thailand

KENWOOD ELECTRONICS SINGAPORE PTE. LTD.

1 Genting Lane, #07-00, Kenwood Building, Singapore 349544

KENWOOD ELECTRONICS (MALAYSIA) SDN BHD

#4.01 Level 4, Wisma Academy, Lot 4A, Jalan 19/1,
46300 Petaling Jaya, Selangor, Malaysia